

4

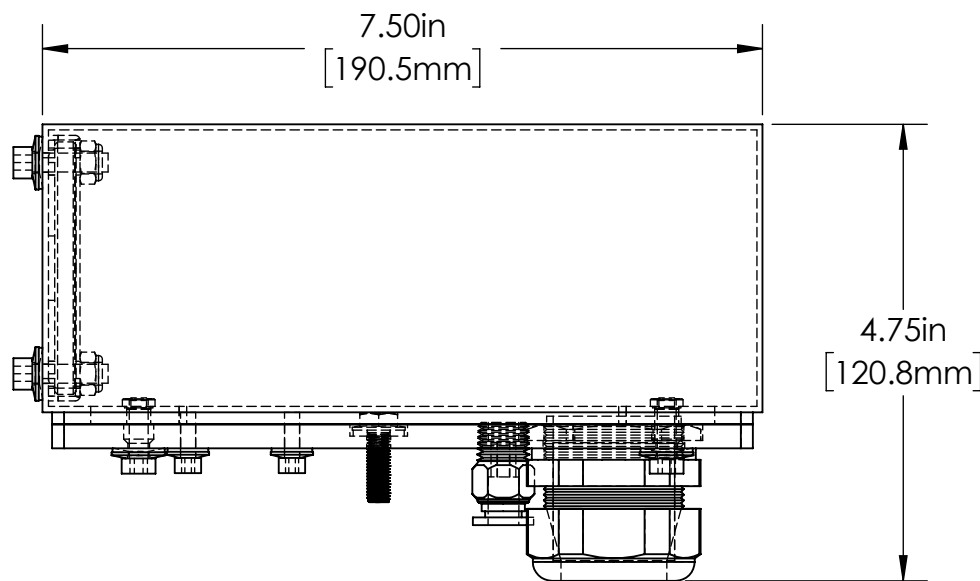
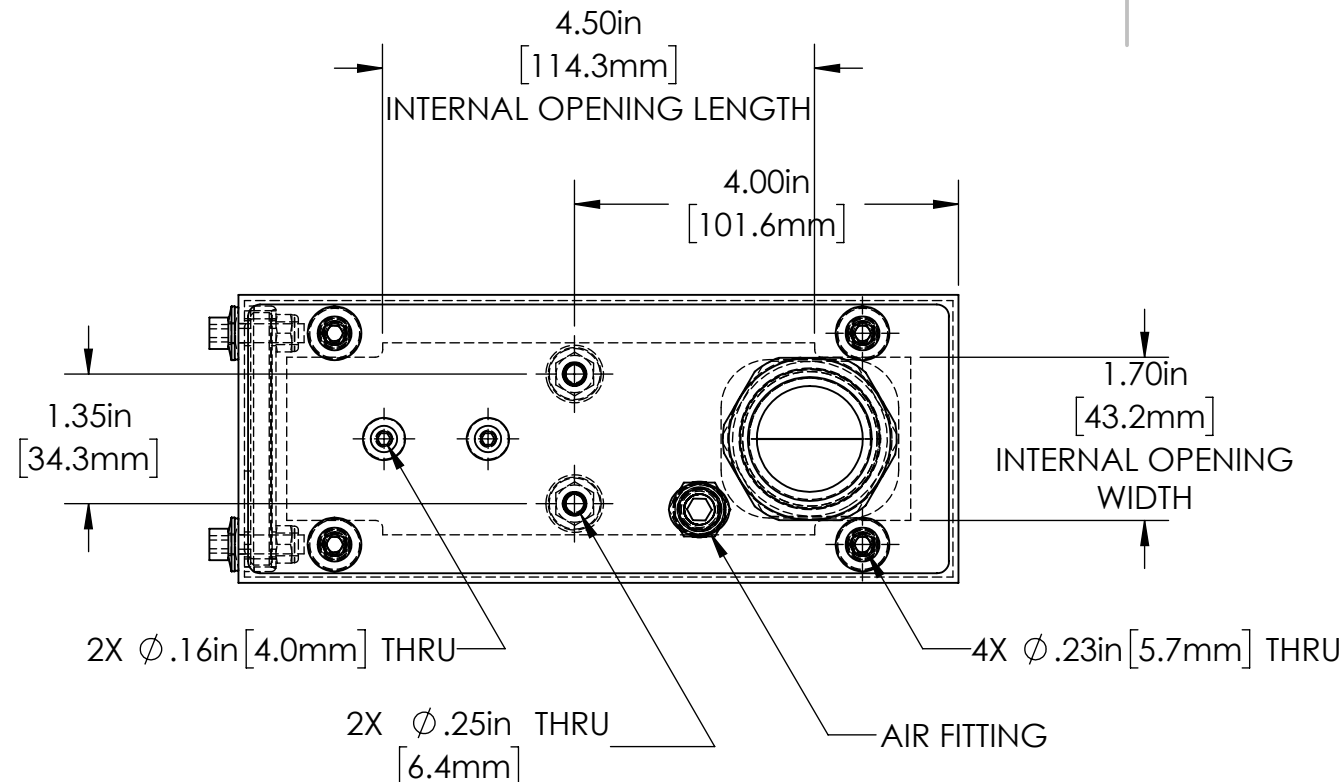
3

2

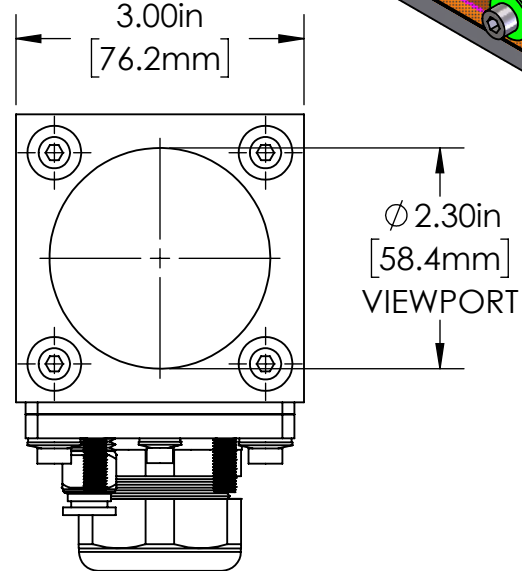
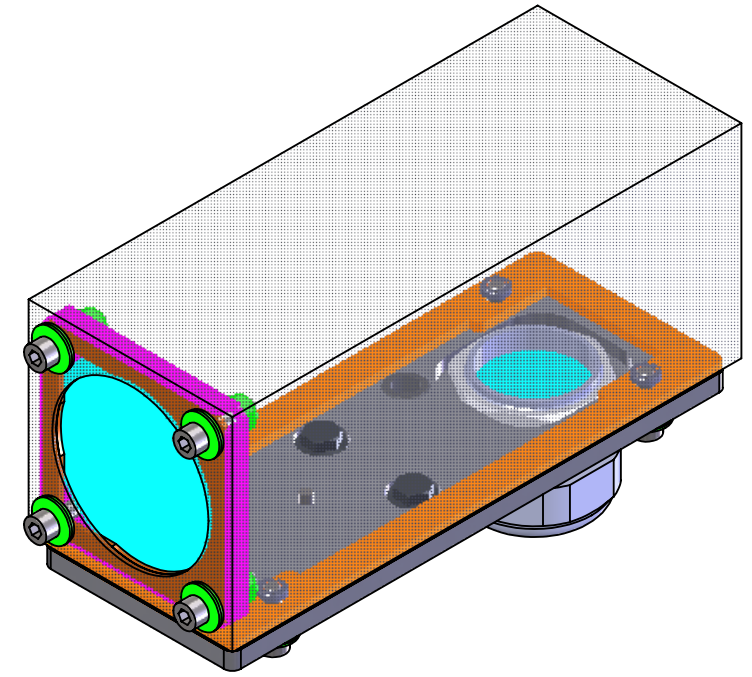
1

B

B



REVISIONS				
ZONE	REV.	DESCRIPTION	DATE	APPROVED
	A		7/30/2019	



A

A

30S SERIES PROPERTIES TABLE		
ENVIRONMENT RATING	IP68*	
	(*RATING MAY CHANGE IF INSTALLER MILLS CABLE GLAND OUTSIDE OF TOLERANCE)	
COMPONENT	MATERIAL	FINISH
BODY	304 SS	CLEAR HARDCOAT
VIEWPORT	ACRYLIC	CLEAR
GASKET	40D SILICONE	NONE
ARM/ADAPTOR		
HARDWARE	316 SS - EXTERNAL, 18-8 SS - INTERNAL	NONE

PG21 CORD GRIP

Pyramid Imaging
 Pyramid Imaging Inc
 945 East 11th Avenue
 Tampa, FL 33605
<https://pyramidimaging.com>
Sales@pyramidimaging.com
 (813) 984-0125

TOLERANCES UNLESS OTHERWISE SPECIFIED

MACHINING	SHEET METAL
X.X 0.0250"	HOLE TO HOLE (SAME SURFACE) X.X 0.030"
X.XX 0.0100"	X.XX 0.010"
X.XXX 0.0050"	X.XXX 0.005"
X.XXXX 0.0005"	X.XXX 0.015"
ANGULAR 0.5°	HOLE TO FOLDED EDGE X.X 0.035" X.XX 0.025" X.XXX 0.015"
DEBURR ALL	FOLD TO FOLD X.X 0.045" X.XX 0.035" X.XXX 0.020" ANGULAR 1.0°

⊕ ≡
ALL WEIGHTS ARE IN POUNDS

THIS PRINT IS THE PROPERTY OF ALLISON PARK GROUP. THE INFORMATION CONTAINED HEREIN IS CONFIDENTIAL. IT IS NOT TRANSFERABLE. IT IS FURNISHED WITH THE CLEAR UNDERSTANDING THAT IT IS NOT TO BE TRACED, REPRODUCED OR USED IN ANY PROCESS OF MANUFACTURING WITHOUT WRITTEN PERMISSION FROM THE OWNER AND IS RETURNABLE UPON DEMAND. ANY INFRINGEMENT UPON THE PATENT RIGHTS SHOWN HEREIN, WHETHER IN PART OR WHOLE, WILL BE PROSECUTED.

AS PART OF OUR POLICY OF CONTINUING DEVELOPMENT, ALLISON PARK GROUP RESERVES THE RIGHT TO ALTER SPECIFICATIONS WITHOUT PRIOR NOTICE.

Allison Park Group, Inc (APG)
 4055 Alpha Drive
 Allison Park, PA 15101 USA
 Phone +1 (412) 487-8211
apgvision.com

DESCRIPTION:
30D-CN ENCLOSURE

MATERIAL: **SEE BOM**

FINISH: **SEE BOM**

DRAWN BY: TWD	DATE: 3/30/2020	SCALE: 1:2	SHT-SIZE: B	APPROX. WEIGHT: 2.3804
CHECKED BY:	DATE:	PART NUMBER: 30D-CN	REVISION: A	

Sheet 1 of 1

4

3

2

1