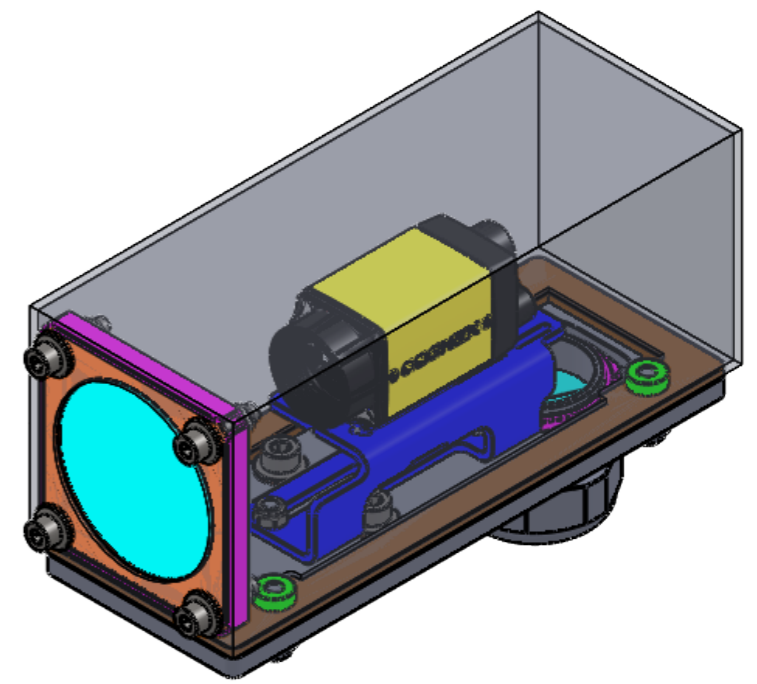
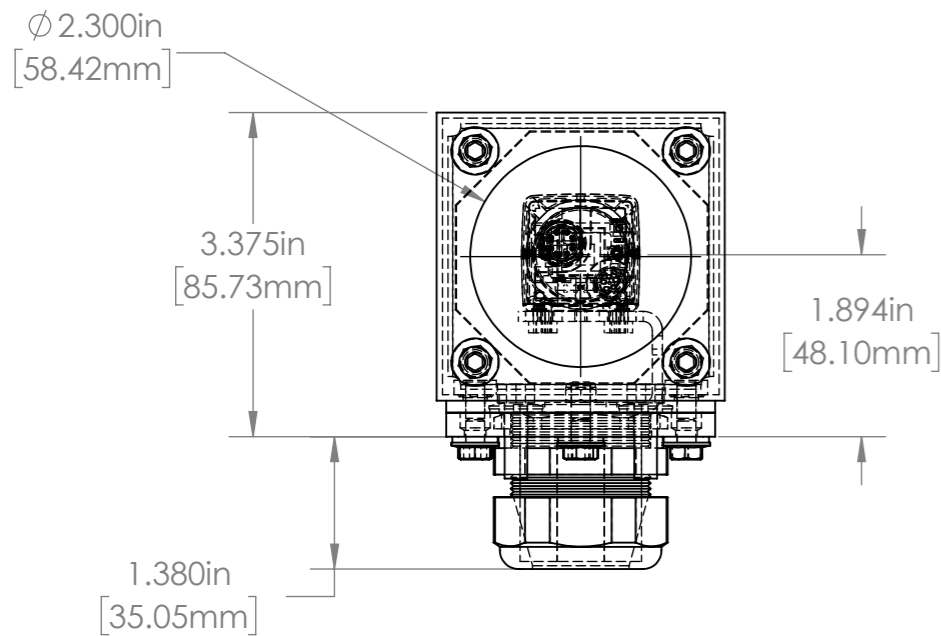


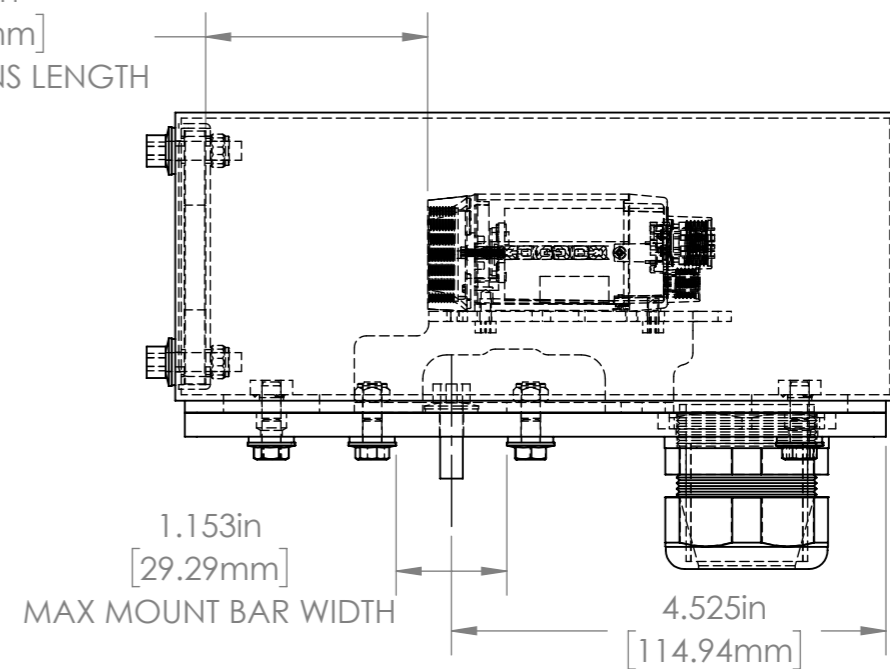
NOTE:
 MAXIMUM LENS DIAMETER 50MM
 MAXIMUM LENS LENGTH 58.5MM



1.350in [34.29mm]
 MOUNTING HOLE SPACING



2.313in [58.74mm]
 MAXIMUM LENS LENGTH



Pyramid Imaging Inc
 945 East 11th Avenue
 Tampa, FL 33605
<https://pyramidimaging.com>
Sales@pyramidimaging.com
 (813) 984-0125

				UNLESS OTHERWISE SPECIFIED: DIMENSIONS ARE IN INCHES SURFACE FINISH: TOLERANCES: .000= +/- 0.005" .00= +/- 0.010"		FINISH: DEBUR AND BREAK SHARP EDGES		Allison Park Group, Inc. (APG) 4055 Alpha Drive Allison Park, PA 15101 USA		DO NOT SCALE DRAWING		REVISION	
				LINEAR:				Phone +1 (412) 487-8211 Fax +1 (412) 486-3157		This document is the property of APG and is considered company confidential. The information in this document is the property of APG and may not be used, reproduced, or distributed in whole or in part without the prior written permission of APG.			
				DRAWN		NAME		www.apgvision.com		TITLE: 30D-EM IS8000 7.5 ACRYLIC SEALED ASSY DIMS			
				CHK'D		SIGNATURE		MATERIAL: 304 SS BODY ACRYLIC VIEWPORT 40D SILICONE GASKET		DWG NO.		A3	
				APP'VD		DATE		WEIGHT:		SCALE: 1:2		SHEET 1 OF 1	
				MFG				NOTES:		30D-EM DIMS			
				Q.A									
				NO.		CHANGE							
				DATE		INIT.							