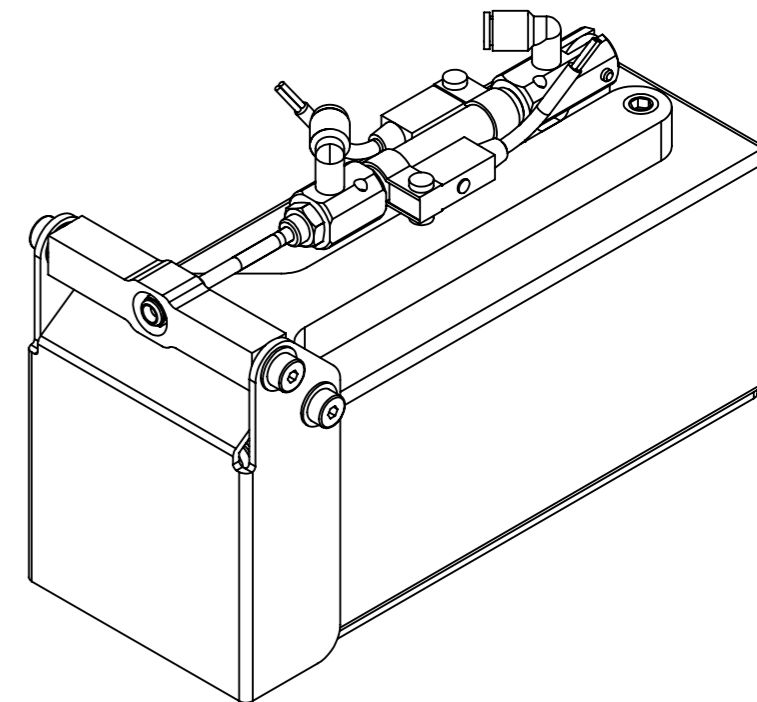
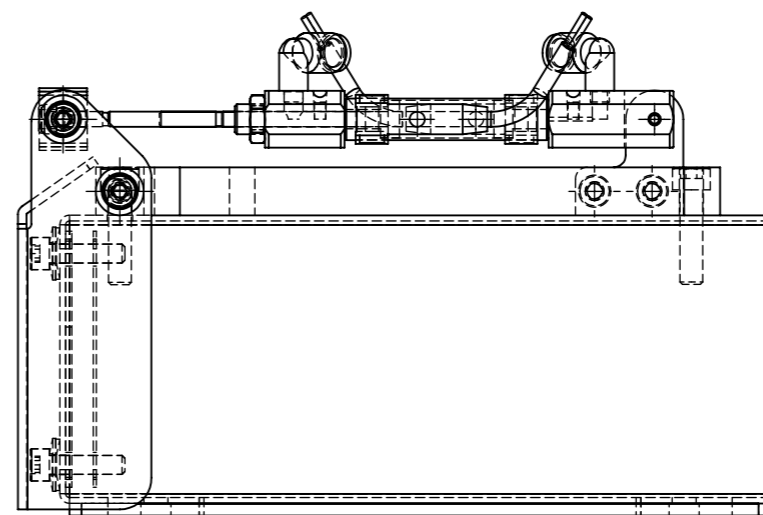
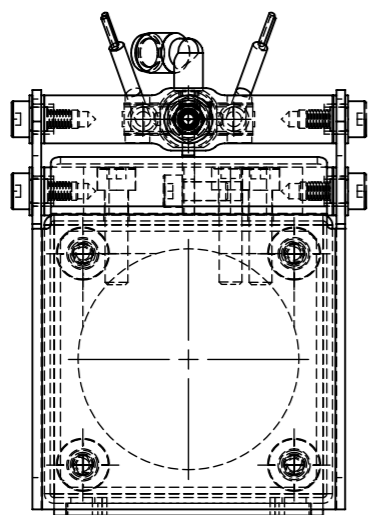


MOUNTING HOLE PATTERN

Ø 6.350mm
[.25in]
3x MOUNTING HOLES



Pyramid Imaging Inc
945 East 11th Avenue
Tampa, FL 33605
<https://pyramidimaging.com>
Sales@pyramidimaging.com
(813) 984-0125

| | | | | | | | | | | | |
|------------|--|--|--|---|--|--|--|--|--|---|--|
| | | | | UNLESS OTHERWISE SPECIFIED: DIMENSIONS ARE IN INCHES SURFACE FINISH: TOLERANCES: .000= +/- 0.005" .00= +/- 0.010" | | FINISH: DEBUR AND BREAK SHARP EDGES | | DO NOT SCALE DRAWING | | REVISION | |
| | | | | LINEAR: | | | | Allison Park Group, Inc. (APG) 4055 Alpha Drive Allison Park, PA 15101 USA | | This document is the property of APG and is considered company confidential. The information in this document is the property of APG and may not be used, reproduced, or distributed in whole or in part without the prior written permission of APG | |
| | | | | DRAWN | | NAME | | SIGNATURE | | DATE | |
| | | | | SCHUBERT | | | | | | 10/21/2010 | |
| | | | | CHK'D | | | | | | | |
| | | | | APPV'D | | | | | | | |
| | | | | MFG | | | | | | | |
| | | | | Q.A | | | | | | | |
| | | | | NOTES: | | | | | | | |
| NO. CHANGE | | | | DATE | | INIT. | | MATERIAL: | | DWG NO. | |
| | | | | | | | | www.apgvision.com | | SA-BA ASSY DIMS | |
| | | | | | | | | WEIGHT: | | SCALE:1:5 | |
| | | | | | | | | | | SA-BA | |
| | | | | | | | | | | A3 | |
| | | | | | | | | | | SHEET 1 OF 1 | |