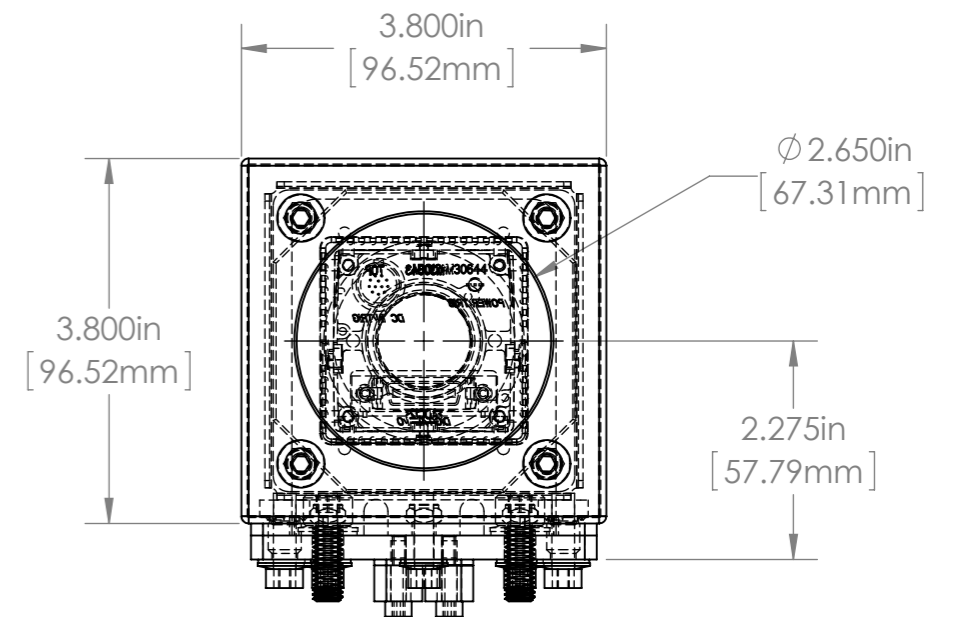
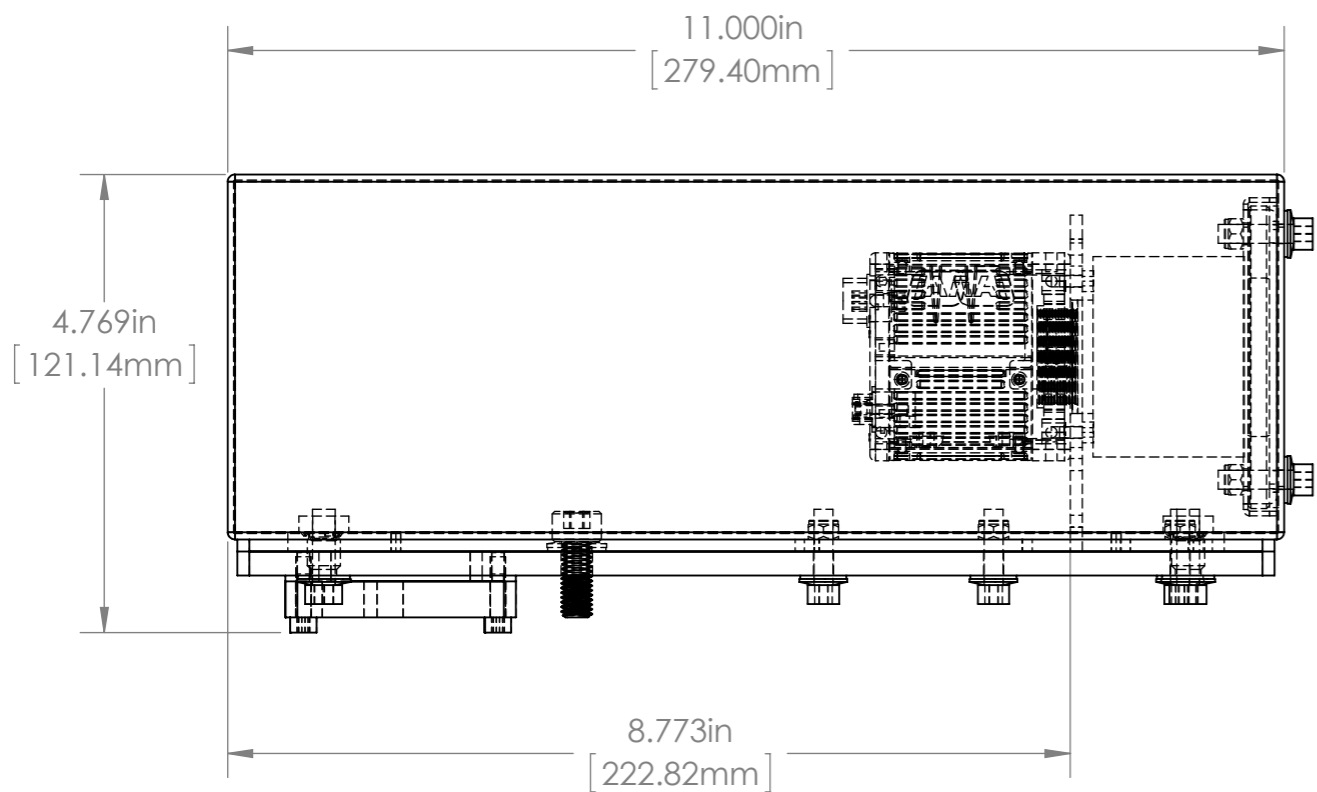
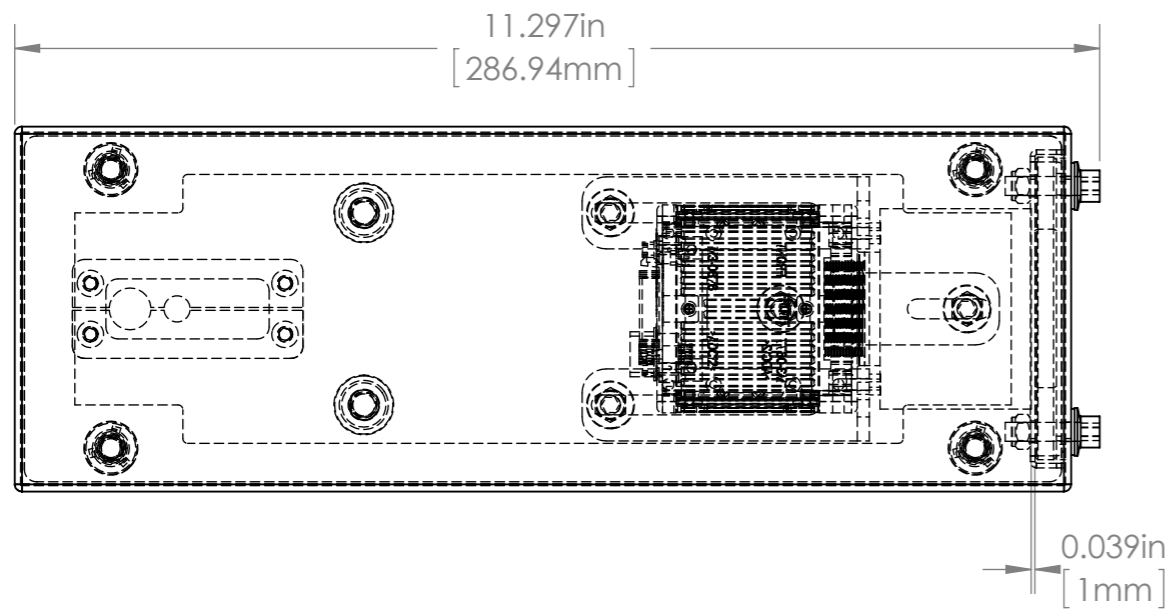


				UNLESS OTHERWISE SPECIFIED: DIMENSIONS ARE IN INCHES SURFACE FINISH: TOLERANCES: .000= +/- 0.005" .00= +/- 0.010"	FINISH: BURNISHED	Allison Park Group, Inc. (APG) 4055 Alpha Drive Allison Park, PA 15101 USA Phone +1 (412) 487-8211 Fax +1 (412) 486-3157 www.apgvision.com	DO NOT SCALE DRAWING	REVISION
				LINEAR: DEBUR AND BREAK SHARP EDGES			This document is the property of APG and is considered company confidential. The information in this document is the property of APG and may not be used, reproduced, or distributed in whole or in part without the prior written permission of APG.	
							TITLE: 38D-BE (JAI)	
							DWG NO. 38D-BE ASSY DIMS	
							A3	
							SCALE: 1:2	
							SHEET 1 OF 2	
NO.	CHANGE	DATE	INIT.	LONG LENS				



Pyramid Imaging Inc
945 East 11th Avenue
Tampa, FL 33605
<https://pyramidimaging.com>
Sales@pyramidimaging.com
(813) 984-0125

				UNLESS OTHERWISE SPECIFIED: DIMENSIONS ARE IN INCHES SURFACE FINISH: TOLERANCES: .000= +/- 0.005" .00= +/- 0.010"		FINISH: BURNISHED		Allison Park Group, Inc. (APG) 4055 Alpha Drive Allison Park, PA 15101 USA		DO NOT SCALE DRAWING		REVISION	
				LINEAR:		DEBUR AND BREAK SHARP EDGES		Phone +1 (412) 487-8211 Fax +1 (412) 486-3157		This document is the property of APG and is considered company confidential. The information in this document is the property of APG and may not be used, reproduced, or distributed in whole or in part without the prior written permission of APG			
				DRAWN		SIGNATURE		www.apgvision.com		TITLE: 38D-BE (JAI)			
				CHK'D		DATE		MATERIAL:		DWG NO. 38D-BE ASSY DIMS			
				APPV'D				WEIGHT:		SCALE: 1:2			
				MFG				NOTES:		SHEET 2 OF 2			
				Q.A				SHORT LENS		A3			
				NO.		CHANGE		DATE		INIT.			