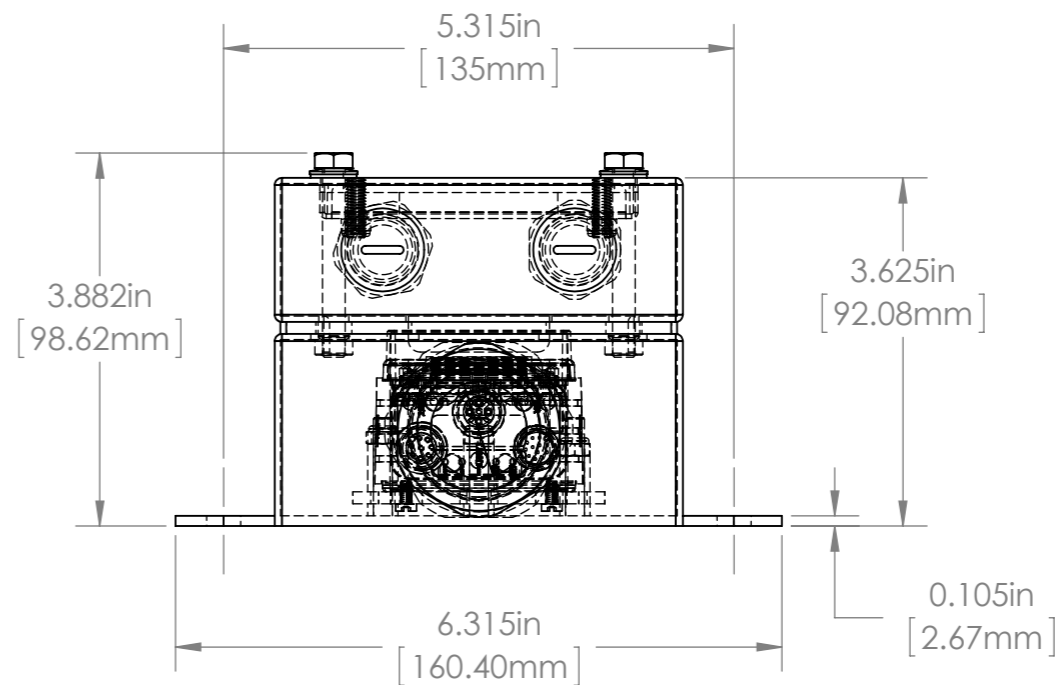
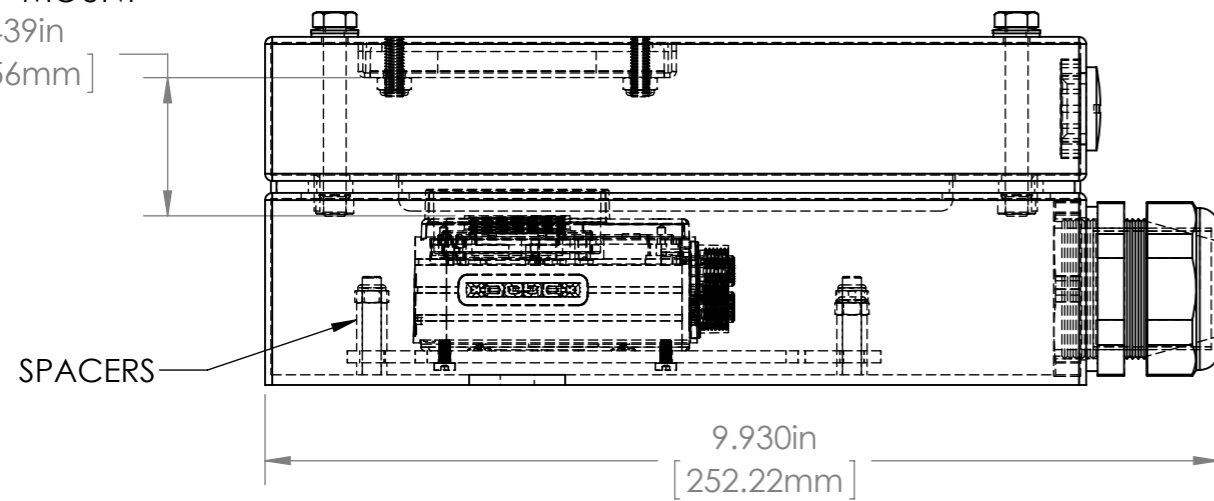


LENS CLEARANCE TO "C" MOUNT

1.439in [36.56mm]



Pyramid Imaging Inc
 945 East 11th Avenue
 Tampa, FL 33605
<https://pyramidimaging.com>
Sales@pyramidimaging.com
 (813) 984-0125

				UNLESS OTHERWISE SPECIFIED: DIMENSIONS ARE IN INCHES SURFACE FINISH: TOLERANCES: .000= +/- 0.005" .00= +/- 0.010"		FINISH: DEBUR AND BREAK SHARP EDGES		Allison Park Group, Inc. (APG) 4055 Alpha Drive Allison Park, PA 15101 USA		DO NOT SCALE DRAWING		REVISION	
				LINEAR:				Phone +1 (412) 487-8211 Fax +1 (412) 486-3157 www.apgvision.com		TITLE: L7-AX (COGNEX IS7000) ASSY			
				DRAWN SCHUBERT		DATE 9/18/2013		MATERIAL:		DWG NO. L7-AX ASSY		A3	
				CHK'D				WEIGHT:		SCALE: 1:2		SHEET 1 OF 1	
				APP'VD									
				MFG									
				Q.A									
				NOTES:									
NO.		CHANGE		DATE		INIT.							