

## Lens Evetar M13B02118 F1.8 f2.1mm 1/3"



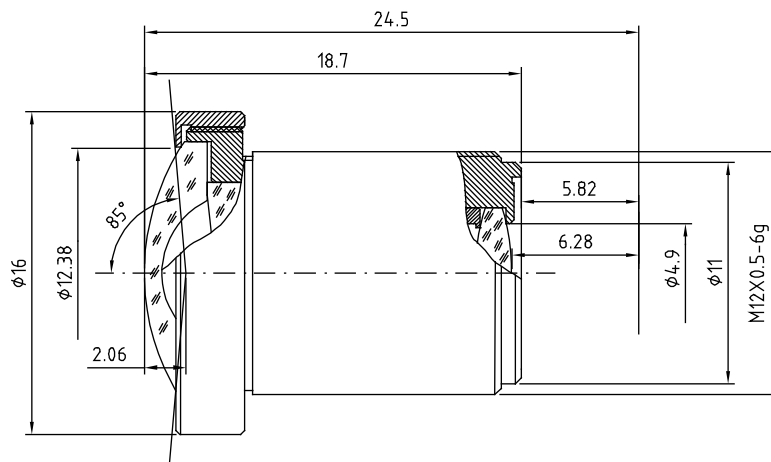
### Order Numbers

- 2000036060 (without IR cut filter)
- 2000036061 (with IR cut filter)

### Key Features

- S-mount lens with optimum price/performance ratio
- 1/3" lens with fixed focal length of 2.1 mm and fixed iris of f/1.8
- Available with IR cut filter (for color cameras) or without IR cut filter (for mono cameras)

| Technical Specifications  |                   |
|---------------------------|-------------------|
| Image Circle              | 1/3"              |
| Focal Length              | 2.1 mm            |
| Aperture                  | f/1.8             |
| Iris Type                 | fixed             |
| MOD                       | 200 mm            |
| Resolution                | MP                |
| Angle of View (D / H / V) | 170° / 130° / 96° |
| Back Focal Length         | 6.25 mm           |
| Mount                     | M12x0.5-6g        |



(Dimensions in mm)