

Analog Control Unit (Constant Voltage)

PSB3-30024

Refer to our website for product details.

CCS PSB3-30024

Search



You can also use your smartphone or cell phone.

For quick access.

High-capacity 300 W constant voltage Analog Control Units adjustable in 256-step intensity settings



The supplied AC cord is for use with 100 to 120 VAC.
If you want to use the Control Unit with 200 to 240 VAC,
you must procure another appropriate AC power cord.

- Control Units
- Options
- PD3 series
- PD2 series
- STU-3000
- PSB series
- POD series
- PTU2 series
- PF series
- CN-4024-2-EIPT
- PB-2430-1
- CC-ST-1024
- BB series
- PJ series
- CC-PJ-0707
- PSCC
- PSB3-30024
- Lens Filters
- Diffusion Plates
- Polarizing Plates
- Light Control Films
- Brackets
- Other
- Extension Cables

Features

- Light Unit output is compatible with 1 channel/4 connectors (metal connector x 2, EL connector x 2).
- Each single unit is equipped with parallel, serial and analog control for external control.
- You can select the optimal output according to the Light Unit and optimize the intensity setting by switching the intensity range.

Example connections Refer to the "Instruction Guide" for details.

Parallel communication Example connections of external signal

• Sink type

• Source type

Connection specifications					
Rated input voltage	Maximum input voltage	Photocoupler ON voltage/ON current	Photocoupler OFF voltage/OFF current	Response time	Input impedance
24 VDC	26.4 VDC	20 VDC min./6 mA min.	3 VDC max./1 mA max.	Approx. 100 ms	5.6 kΩ (per terminal)

	Input signal	Photocoupler	Data
Sink type	HIGH	OFF	1
	LOW	ON	0
Source type	HIGH	ON	0
	LOW	OFF	1

ON/OFF input Example connections of external signal

• Sink type

• Source type

Connection specifications					
Rated input voltage	Maximum input voltage	Photocoupler ON voltage/ON current	Photocoupler OFF voltage/OFF current	Response time	Input impedance
24 VDC	26.4 VDC	20 VDC min./6 mA min.	3 VDC max./1 mA max.	Approx. 100 ms	5.6 kΩ (per terminal)

	Input signal	Photocoupler	Light Unit status
Sink type	HIGH	OFF	On
	LOW	ON	Off
Source type	HIGH	ON	Off
	LOW	OFF	On

Example system configuration

Example: External control devices — External control cables — Control Unit — Extension cable — LED Light

Parallel communication	EXCB2-M20-3 (Parallel communication) (Intensity control)
Trigger signal	EXCB2-M10-3 (Trigger signal input) (ON/OFF control)
EIA-485 communication	EXCB2-E6SR-3 (EIA-485 communication) (Intensity control)
Analog input	EXCB2-E6AN-3 (Analog input) (Intensity control)

PSB3-30024
(300 W capacity)

FCB-3-1.25SQ-ME7
(3 m)

LN5P-600SW
(600 mm size)
(Power consumption: 121 W)

Various technical documents available.

- PDF Drawings
- DXF Drawings
- 3D CAD
- Instruction Guides
- Product Filers
- Imaging Samples
- Data Sheets
- Examples of Custom Ordered Products

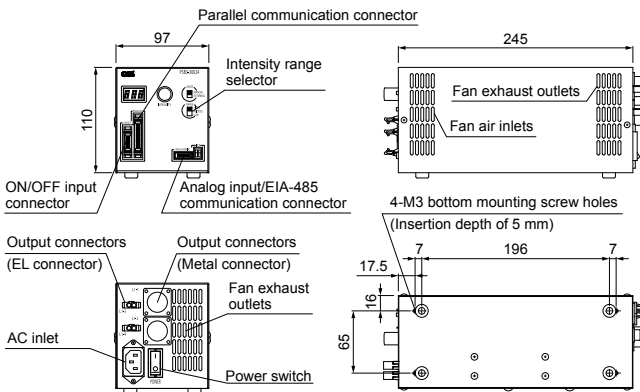
Download here.
<http://www.ccs-grp.com/dl/>

Specifications

Model	PSB3-30024	
Lighting method	Continuous lighting	
Drive method	Constant-voltage system	
Intensity control method	Variable voltage control	
No. of channels	1 channel	
Applicable Light Unit (rated)	24 V 300 W	
Intensity control	Manual and external intensity	Manual/External switch (MODE)
	Variable output voltage range	Select between 3 steps by using the intensity range selector (RANGE).
	Manual	Set any of 256 steps via the setting switch. Press and hold the switch for 2 seconds to lock the intensity value.
	External	8-bit intensity value setting (B0 to B7) and write signal (WR)
	Parallel communication	Command input via EIA-485 communication
	Serial communication	Command input via EIA-485 communication
ON/OFF control	Parallel bit input	Lighting signal (OFF)
	Serial communication	Command input via EIA-485 communication
EIA-485 communication settings	ID	Set by using the ID switch (00 to 03) Connect up to four units
	Terminating resistance	Set by using the ID switch (Terminating resistance is ON only when ID = 00)
Lighting delay (typ.)	0.1 s	
Error detection display	"Err" is displayed on the digital display.	
Error detection output	External control Connector	Error output terminal (OC, OE), photocoupler insulation, open-collector output, alert open (load current of 10 mA or less), and error status (serial communication)

Overcurrent protection	Operates at 105% of the rated current or higher. Resets by cycling the Control Unit.
Overvoltage protection	Operates at 120% to 155% of the rated voltage. Resets by cycling the Control Unit.
Input voltage (rated)	100 to 240 VAC (±10% - 15%), 50/60 Hz
Power consumption (typ.)	410 VA
Frequency	50/60 Hz
Inrush current (typ.)	40 A at cold start
Ground leakage current	3.5 mA max. (264 VAC, 60 Hz, with no load)
Output voltage variation range (typ.)	Select between 3 steps by using the intensity range selector.
	12 V to 24 V *With no load
	15 V to 24 V *With no load
Operating temperature and humidity	Temperature: 0 to 40°C, Humidity: 20% to 85%RH (with no condensation)
	Storage temperature and humidity
Vibration resistance	Acceleration: 19.6 m/sec ² , Frequency: 10 to 55 Hz, Cycle: 3 min., Sweep cycle: each hour in the X, Y, and Z directions
Cooling method	Forced air cooling
CE marking	Safety standard: Conforms to EN61010-1, EMC standard: Conforms to EN61326-1 Class A
Environmental regulations	RoHS compliant
Material, coating, surface processing	Steel plate, Thickness of cover: 1.0, Thickness of chassis: 1.6, N3 leather tone finish
Weight	2,300 g max.
Accessories	3-prong AC cord with ground terminal (2 m) x 1, Instruction Guide x 1

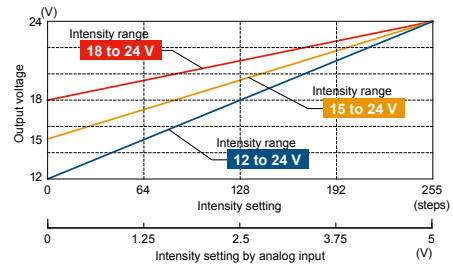
Dimensions (mm)



Intensity Range

Optimize your intensity setting with the intensity lower limit selection function.

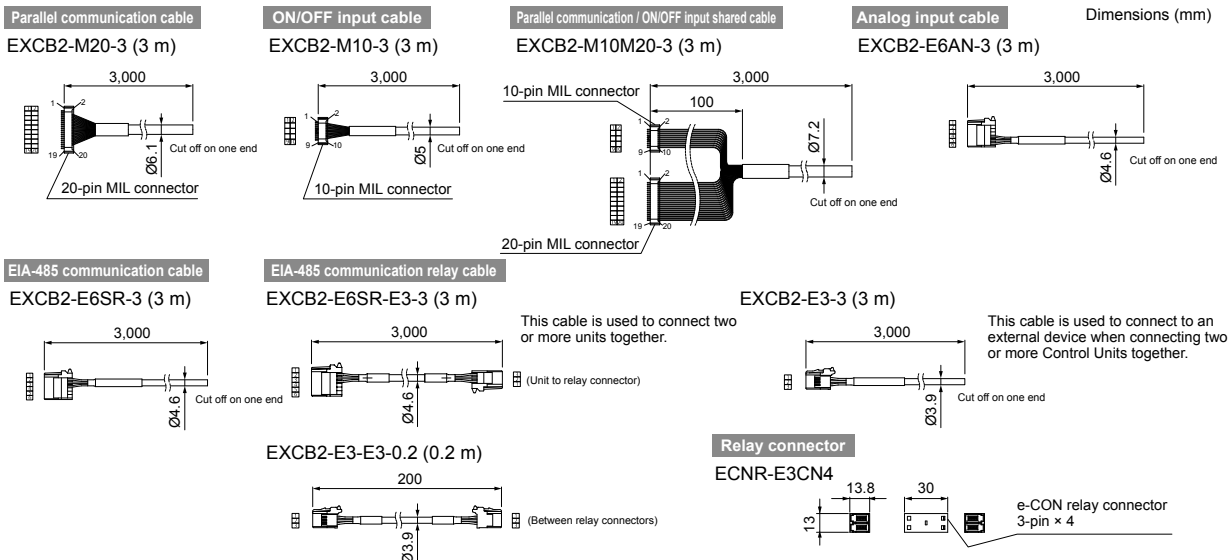
You can choose an intensity range to match the Light Unit.



The graph is a conceptual image.

Options

These are cables for parallel communication, EIA-485 communication, and analog input. Select yours to match your control method.



Refer to the material "Connecting EIA-485 Communications Cables" on the CCS website for information on multi-drop wiring connections. You can download this information from the product website page.

You can inquire using our website.

Requests for Light Unit Selection

Requests for Loan Products

Requests for Estimates

Requests for a Catalog

Product Inquiries

Other Inquiries

Inquire on our website here.
<http://www.ccs-grp.com/contact/>