

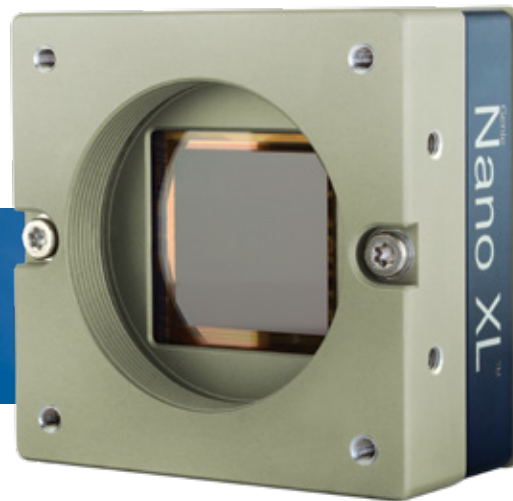


Genie™ Nano-CXP Cameras

Smaller, faster, stronger, cheaper.

Compact CoaXPress cameras with unprecedented speed and uncompromised image quality.

Introducing **Genie Nano-CXP**, a CMOS area scan camera that redefines performance. Genie Nano-CXP starts with industry leading image CMOS sensors from 16 to 67 megapixel resolution and adds proven CoaXPress 6Gbps technology for **breakthrough speed**, a robust build quality for wide operating temperature, and an unmatched feature set—all at an **incredible price**.



Key Features

- Industry's latest CMOS image sensors
- Simplified set-up with field proven Sapera LT software featuring CamExpert
- Engineered to accommodate industrial environment with DIN connectors
- GenICam GenCP compliant

Programmability

- Higher frame rates achievable in partial scan mode
- Global electronic shutter with exposure control
- Multi-ROI feature

Reliability

- Robust all-metal body
- 3 year warranty
- Trigger to Image Reliability (T2IR) framework improves the reliability of your inspection system and protects you from data loss

Typical Applications

- Semiconductor wafer inspection
 - Surface and bump inspection
- Electronics manufacturing
 - 3D solder paste inspection
 - Package and bump inspection
 - Automated Optical Inspection (AOI)
- Solar panel inspection
- General machine vision

Regulatory Compliance

- CE, FCC, RoHS, GenICam, IP30, CoaXPress 1.1 KC certification

GENIE NANO INDIVIDUAL MODEL SPECIFICATIONS

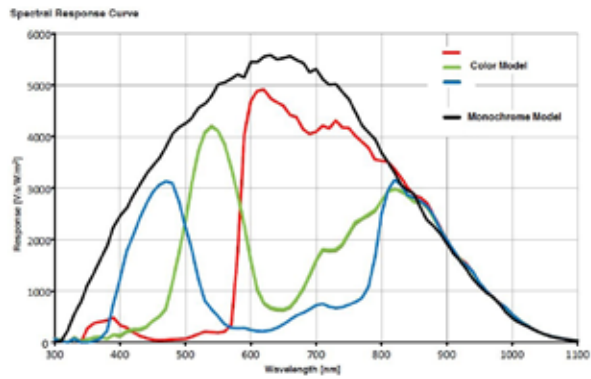
	Active Resolution	Sensor Model	Frame Rate**	Pixel Size	Dynamic Range	Max. Image Circle	Data Format	Part Number
●● CXP-M4090	4096 x 4096	On-Semi Python 16K (16M)	120 fps	4.5 μm	55.2 dB	APS-H Optical Format	8 or 10-Bit Mono	G3-XM30-M4095
●● CXP-M4090-NIR	4096 x 4096	On-Semi Python 16K (16M)	120 fps	4.5 μm	55.2 dB	APS-H Optical Format	8 or 10-Bit Mono	G3-XM32-M4095
●●● CXP-C4090	4096 x 4096	On-Semi Python 16K (16M)	120 fps	4.5 μm	55.2 dB	APS-H Optical Format	8 or 10-Bit Bayer	G3-XC30-C4095
●● CXP-M5100	5120 x 5120	On-Semi Python 25K (25M)	80 fps	4.5 μm	55.2 dB	APS-H Optical Format	8 or 10-Bit Mono	G3-XM30-M5105
●● CXP-M5100-NIR	5120 x 5120	On-Semi Python 25K (25M)	80 fps	4.5 μm	55.2 dB	APS-H Optical Format	8 or 10-Bit Mono	G3-XM32-M5105
●●● CXP-C5100	5120 x 5120	On-Semi Python 25K (25M)	80 fps	4.5 μm	55.2 dB	APS-H Optical Format	8 or 10-Bit Bayer	G3-XC30-C5105
●● CXP-M6200	6144 x 6144	Teledyne e2v Emerald 36M	43 fps	2.5 μm	66 dB	4/3" Optical Format	8 or 10-Bit Mono	G3-XM01-M6205
●●● CXP-C6200	6144 x 6144	Teledyne e2v Emerald 36M	43 fps	2.5 μm	66 dB	4/3" Optical Format	8 or 10-Bit Bayer	G3-XC01-C6205
●● CXP-M8200	8192 x 8192	Teledyne e2v Emerald 67M	30 fps	2.5 μm	66 dB	APS-C Optical Format	8 or 10-Bit Mono	G3-XM01-M8205
●●● CXP-C8200	8192 x 8192	Teledyne e2v Emerald 67M	30 fps	2.5 μm	66 dB	APS-C Optical Format	8 or 10-Bit Bayer	G3-XC01-C8205

GENIE NANO FAMILY SPECIFICATIONS (COMMON TO ALL MODELS)

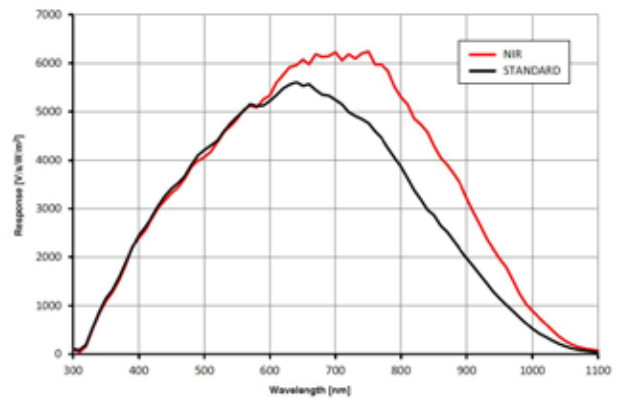
GENIE CXP (XL Casing)	
Data Output Transfer	4 lanes x CXP-6
Exposure Control	Automatic, programmable, or via external trigger
Lens Mount	M42
Size (L x H x W) (C-mount option)	32 mm x 59 mm x 59 mm (no lens adapter or connectors)
Mass	~163 g
Operating Temp	-20 to +60° C (housing temperature)
Power Supply	+12 to +24 V or Power over CoaXPress PoCXP (PoCXP requires 2 x DIN connectors min.)
Power Dissipation (model dependent)	13 W @ 24 Volt Aux.
Data Connector	4 x DIN 1.0/2.3
Power and I/O Connector	SAMTEC TFM-105 type
Camera Specification	CoaXPress v1.1, GeniCam GenCP compliant
Software Platform	Teledyne DALSA Sopera LT 8.0 for Windows, or 3rd Party GeniCam GenCP compliant SDK



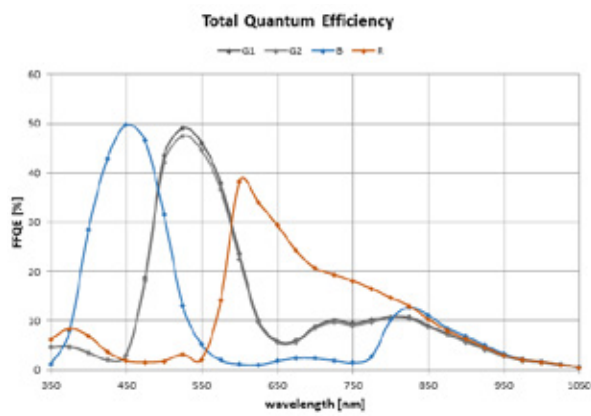
RESPONSIVITY GRAPHS



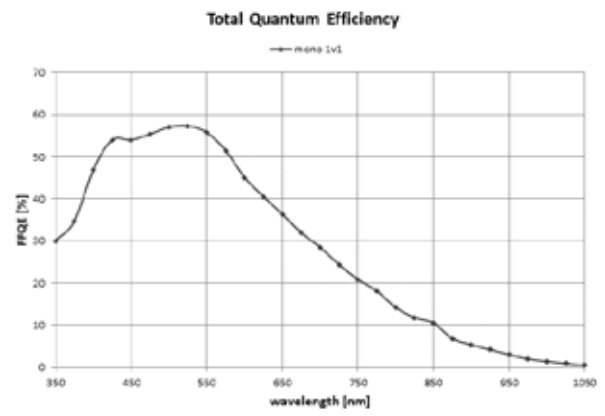
C4090 C5100



M4090 M5100



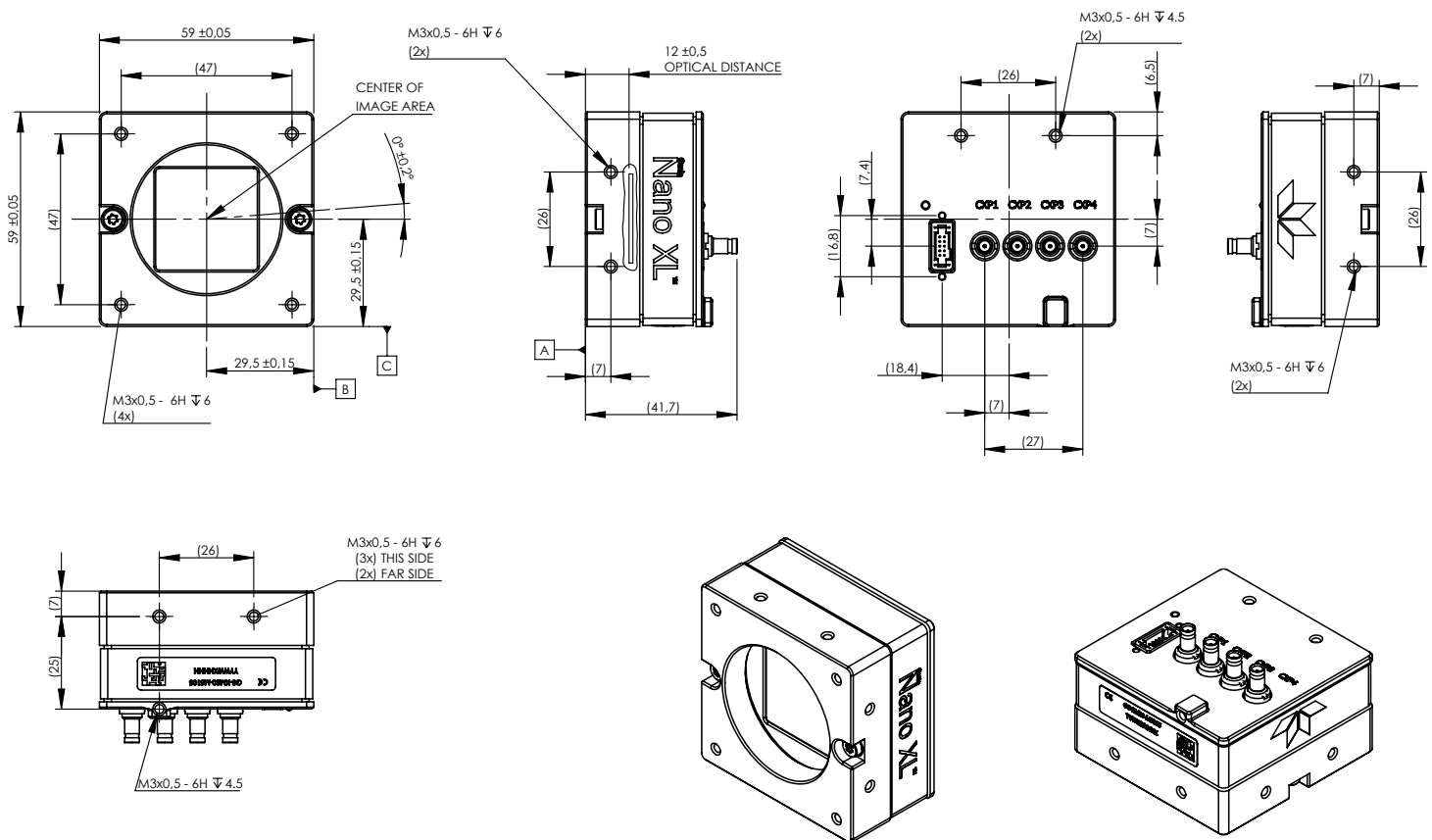
C6200 C8200



M6200 M8200

Genie™ Nano XL Specifications

For Model 16M to 67M only



NOTES :
1. UNITS : MILLIMETERS.
2. IMAGE AREA IS ALIGNED TO DATUMS **A**, **B** & **C**



Versatile camera series featuring E2V and On-Semiconductor sensors

www.teledynedalsa.com

Americas

Boston, USA
+1 978-670-2000
sales.americas@teledynedalsa.com

Teledyne DALSA has its corporate offices in Waterloo, Canada

Teledyne DALSA reserves the right to make changes at any time without notice. Teledyne DALSA © 20201022

Europe

Krailling, Germany
+49 89-89-54-57-3-80
sales.europe@teledynedalsa.com

Asia Pacific

Tokyo, Japan
+81 3-5960-6353
sales.asia@teledynedalsa.com

Shanghai, China
+86 21-3368-0027
sales.asia@teledynedalsa.com



Pyramid Imaging Inc
945 East 11th Avenue
Tampa, FL 33605
<https://pyramidimaging.com>
Sales@pyramidimaging.com
(813) 984-0125



Part of the Teledyne Imaging Group