

# V-Mount Macro Lens

## Apo-Componon 2.8/40-0007

Unlike conventional camera lenses where the optical performance decreases as the magnification increases, Schneider-Kreuznach macro lenses have been developed and corrected exclusively for the close-up range of 1:20 to 1:1. Due to its mechanical stability and the robust V-mount interface enabling simpler adjustment of the best azimuth position, the system is exceptionally well suited to demanding, continuous industrial use.



Apo-Componon 2.8/40

### Key Features

- Excellent optical imaging performance when using large sensors
- Vibration-insensitive for stable optical performance
- Industry-compatible V-mount interface
- Lockable distance and aperture settings
- Continuous aperture adjustment, guaranteed long-term stability
- 100% quality control guarantees reliability and constant quality
- Low maintenance requirements, therefore high system reliability

### Applications

- Machine Vision and other imaging applications
- PCB inspection
- LCD inspection
- OLED inspection
- Solar inspection

### Technical Specifications

F-number	2.8
Focal length	41.5 mm
Image circle	43.2 mm
Magnification	1:20 to 1:1, optimized for -0.10
Transmission	400 - 700 nm
Interface	V38-Mount
Weight	108 gr.
Filter tread	M37 x 0.75
Code no.	14798

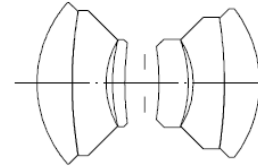
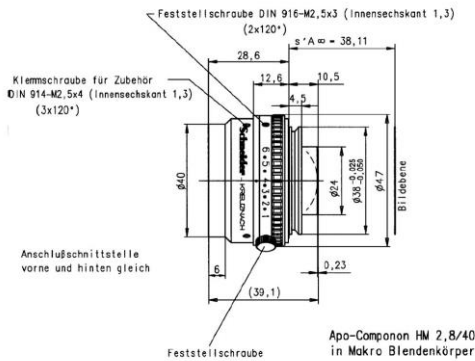
### Contact

Jos. Schneider Optische Werke GmbH  
 Ringstraße 132  
 55543 Bad Kreuznach  
 Germany  
 Phone +49 671 601-205  
 Fax +49 671 601-286  
[www.schneiderkreuznach.com](http://www.schneiderkreuznach.com)  
[industrie@schneiderkreuznach.com](mailto:industrie@schneiderkreuznach.com)

Schneider Optical Technologies Co., Ltd.  
 Rm. A505 Yingdali Science Park, Hongmian Rd.,  
 Futian Free Trade Zone, Shenzhen 518038,  
 P.R. China  
 Phone: +86 755 88 32 11 70  
 Fax: +86 755 88 32 11 75  
[www.schneiderkreuznach.com](http://www.schneiderkreuznach.com)  
[info@schneider-asiapacific.com](mailto:info@schneider-asiapacific.com)

Schneider Optics Inc.  
 285 Oser Ave.  
 Hauppauge, NY 11788  
 USA  
 Phone +1 631 761-5000  
 Fax +1 631 761-5090  
[www.schneideroptics.com/industrial](http://www.schneideroptics.com/industrial)  
[industrial@schneideroptics.com](mailto:industrial@schneideroptics.com)

# Apo-Componon 2.8/40



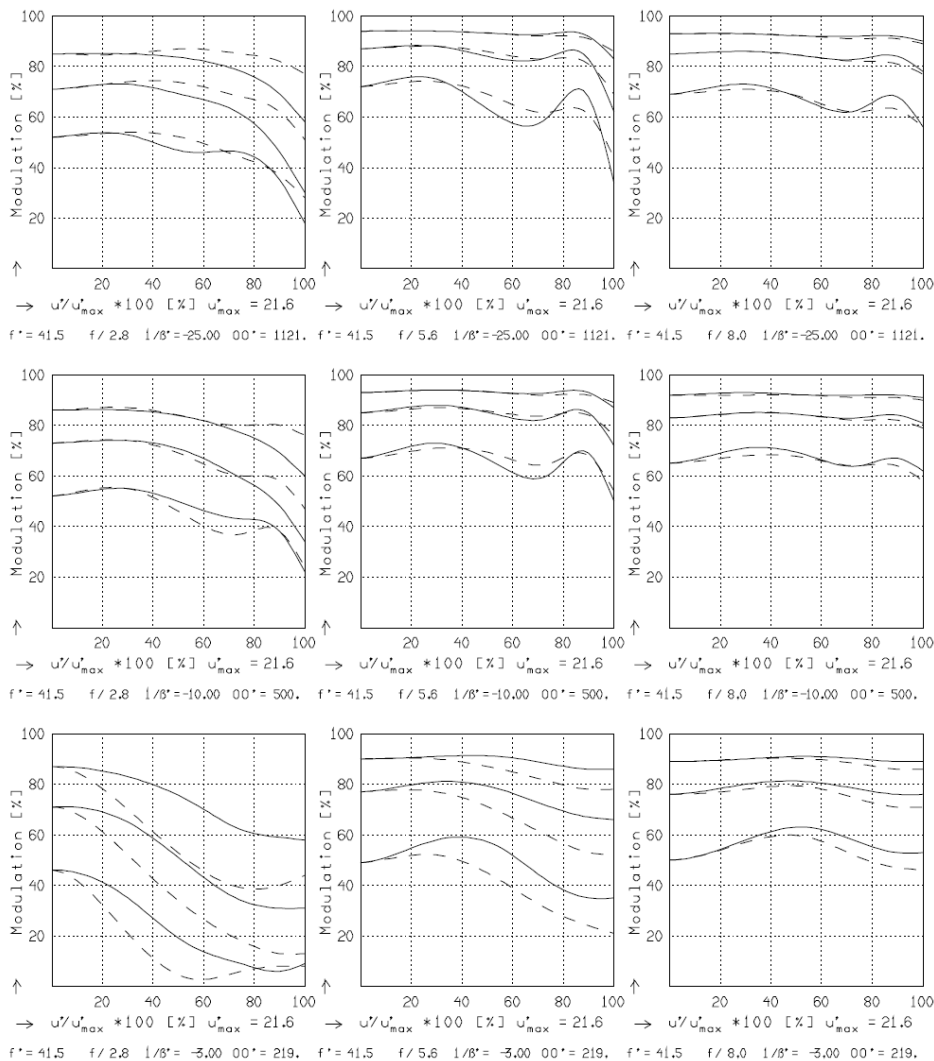
## APO-COMPONON 2.8/40

$f^*$ = 41.5 mm	$\beta_p^*$ = 1.049
$s_F$ = -24.5 mm	$s_{EP}$ = 15.0 mm
$s_F^*$ = 27.8 mm	$s_{AP}^*$ = -15.7 mm
$HH^*$ = -2.2 mm	$\Sigma d$ = 28.5 mm

## APO-COMPONON 2.8/40

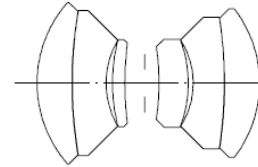
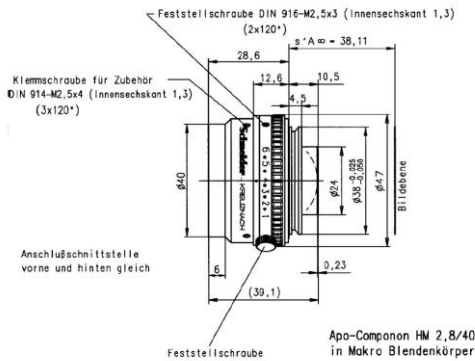
MODULATION with reference to the relative image height

Wavelength $\lambda$ [nm] :	546	706	644	480	436	405
Spectral weighting [%] :	27.4	12.4	24.1	18.3	12.6	5.2
Spatial frequency R [1/mm] :	10	20	40			
Format [mm X mm] :	24.0	X	36.0			
Diagonal $2u'$ [mm] :	43.2					



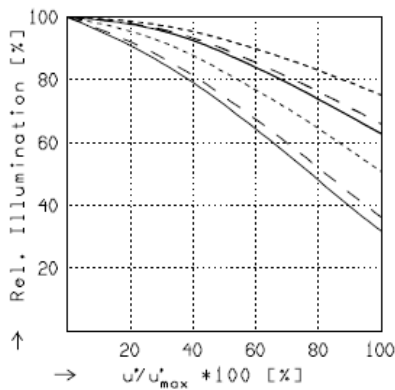
Focusing :  $MTF_{max}$  at  $f / 2.8$  ,  $R = 20$  1/mm.  $u'/u'_{max} = 0$

# Apo-Componon 2.8/40



## APO-COMPONON 2.8/40

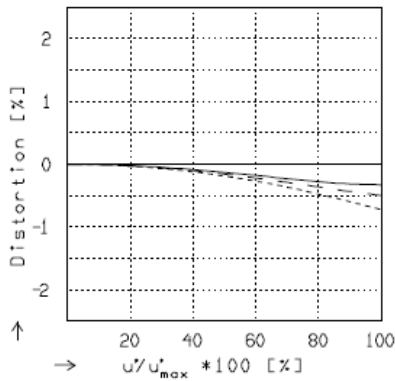
$f' = 41.5 \text{ mm}$	$\beta'_p = 1.049$
$s_F = -24.5 \text{ mm}$	$s_{EP} = 15.0 \text{ mm}$
$s'_F = 27.8 \text{ mm}$	$s'_{AP} = -15.7 \text{ mm}$
$HH' = -2.2 \text{ mm}$	$\Sigma d = 28.5 \text{ mm}$



## RELATIVE ILLUMINATION

The relative illumination is shown for the given focal distances or magnifications.

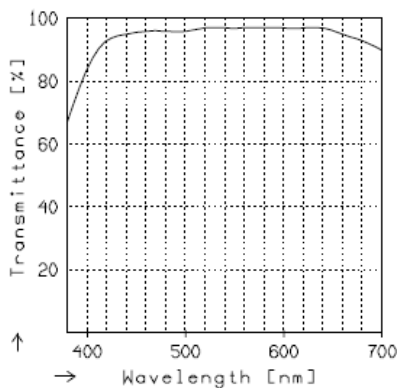
	$f / 2.8$	$f / 5.6$	$f / 8.0$
— $\beta' = -0.0400$	$u'_{max} = 21.6$	$00' = 1121.$	
- - $\beta' = -0.1000$	$u'_{max} = 21.6$	$00' = 500.$	
- - - $\beta' = -0.3333$	$u'_{max} = 21.6$	$00' = 219.$	



## DISTORTION

Distortion is shown for the given focal distances or magnifications. Positive values indicate pincushion distortion and negative values barrel distortion.

— $\beta' = -0.0400$	$u'_{max} = 21.6$	$00' = 1121.$
- - $\beta' = -0.1000$	$u'_{max} = 21.6$	$00' = 500.$
- - - $\beta' = -0.3333$	$u'_{max} = 21.6$	$00' = 219.$



## TRANSMITTANCE

Relative spectral transmittance is shown with reference to wavelength.