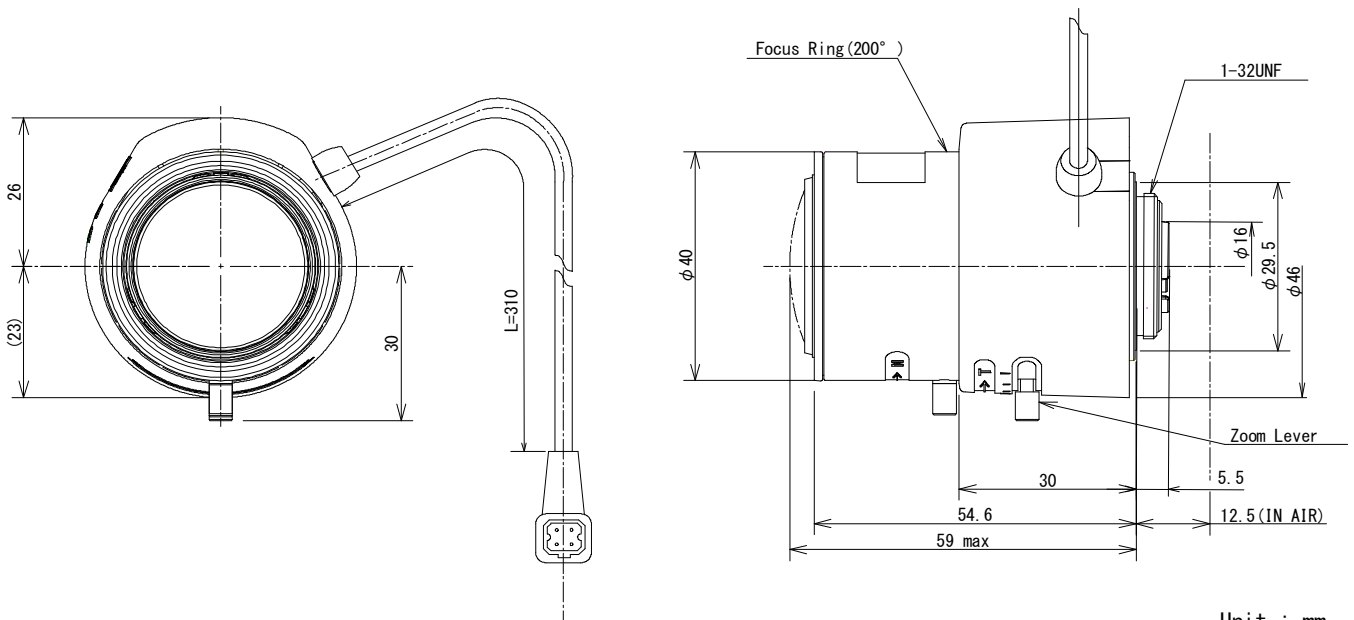


# EG3Z3915KCS-MPWIR

**3X 3.9mm-10mm F1.5 Day & Night  
for 1/1.8 type Megapixel Cameras, Vari-focal, Stepping Motor Iris  
CS-Mount**

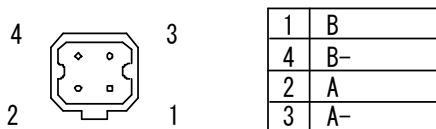
|                       |       |                              |                |                    |                |                              |               |
|-----------------------|-------|------------------------------|----------------|--------------------|----------------|------------------------------|---------------|
| Model No.             |       | EG3Z3915KCS-MPWIR            |                | Effective          | Front          | $\phi$ 25.0mm                |               |
| Focal Length          |       | 3.9mm - 10mm                 |                | Lens Aperture      | Rear           | $\phi$ 10.0mm                |               |
| Max. Aperture Ratio   |       | 1:1.5                        |                | Back Focal Length  | Tele           | 8.5mm                        |               |
| Max. Image Format     |       | 7.1mm x 5.4mm( $\phi$ 8.9mm) |                |                    | Wide           | 8.5mm                        |               |
| Operation Range       | Iris  | F1.5 - F16C                  |                | Flange Back Length |                | 12.5mm                       |               |
|                       | Focus | 0.8m - Inf.                  |                | Mount              |                | CS-Mount                     |               |
|                       | Zoom  | 3.9mm - 10mm                 |                | Filter Size        |                | -                            |               |
| Control               | Iris  | Stepping Motor               |                | Dimensions         |                | $\phi$ 40 mm x 49 mm x 59 mm |               |
|                       | Focus | Manual                       |                | Weight             |                | 71g                          |               |
|                       | Zoom  | Manual                       |                |                    |                |                              |               |
| Angle of View         | D     | 1/1.8 type                   | 144.1° - 52.9° | 1/2 type           | 124.8° - 47.5° | 1/3 type                     | 89.3° - 35.5° |
|                       | H     |                              | 108.1° - 42.1° |                    | 96.0° - 37.9°  |                              | 70.2° - 28.4° |
|                       | V     |                              | 79.7° - 32.0°  |                    | 70.2° - 28.4°  |                              | 52.1° - 21.3° |
| Operating Temperature |       | -20°C - +60°C                |                |                    |                |                              |               |

**Dimensions**



Unit : mm

**Wiring Diagram**



945 East 11<sup>th</sup> Avenue Tampa, FL 33605

Phone: (813) 984-0125

Contact: Sales@pyramidimaging.com

<https://pyramidimaging.com>