

# EG3Z0409FCS-MPWIR

**2.5X 4.0mm-10mm F0.9 Day & Night**  
**for 1/1.8 type 4K Cameras, Vari-focal, Auto Iris DC Drive**  
**CS-mount**

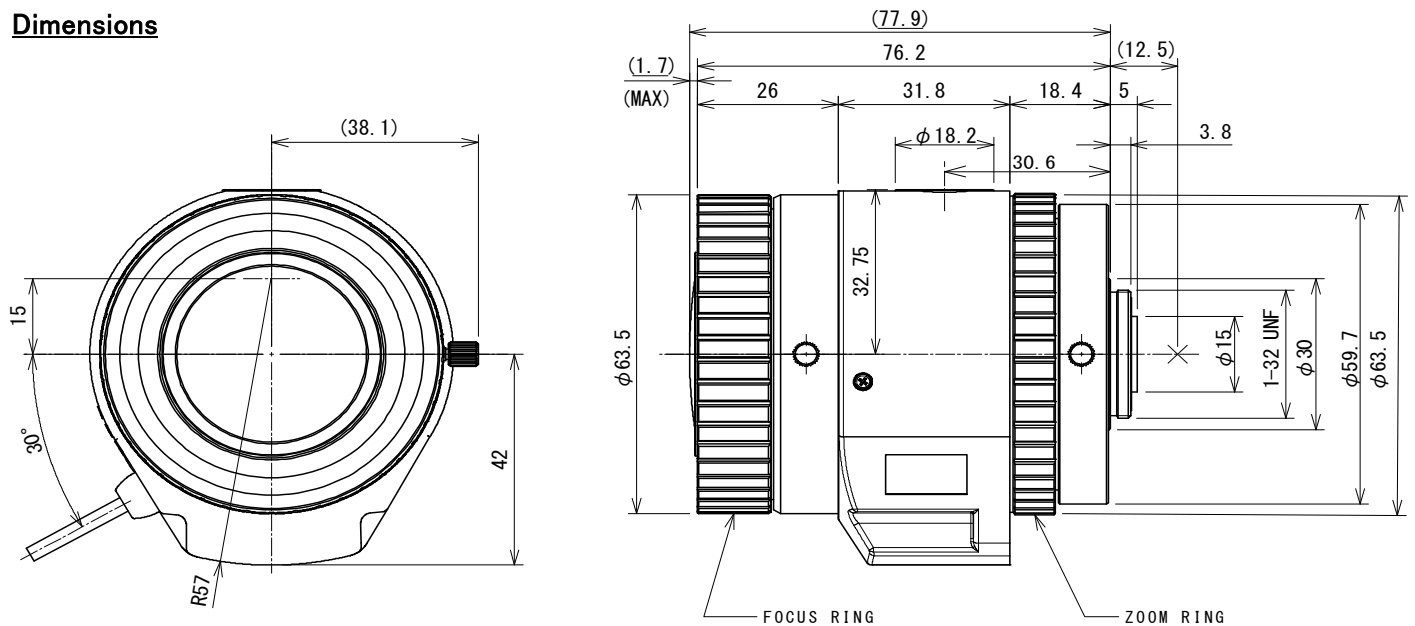
**Optical Specifications**

Model No.		EG3Z0409FCS-MPWIR		Min. Objective Distance		100cm from front of lens		
Focal Length		4mm - 10mm		Effective Lens Aperture		Front: $\phi$ 33.9mm Rear: $\phi$ 10.7mm		
F-Number	Wide	F0.9 - F360C		Back Focal Length	Wide	8.01mm		
	Tele	F1.6 - F360C			Tele	8.01mm		
Max. Image Circle		$\phi$ 8.9mm		Flange Back Length		12.5mm		
Angle of View	Diagonal	1/1.8 type	147.8° ~ 53.3°	1/1.8 type	147.8° ~ 53.3°			
	Horizontal	(16:9)	120.1° ~ 46.3°		(4:3)	107.6° ~ 42.4°		
	Vertical		62.1° ~ 25.9°			77.2° ~ 31.7°		

**Mechanical & Electrical Specifications**

Control	Iris	DC Auto Iris	Dimensions	As per the attached drawing
	Focus	Manual	Mount	CS mount
	Zoom	Manual	Weight	384g
Tripod Screw		1/4 -20UNC	Operating Temperature	-20°C - +60°C (TBD)

**Dimensions**



**Wiring Diagram**



**Pyramid Imaging**  
 945 East 11th Avenue Tampa, FL 33605  
 sales@pyramidimaging.com  
 www.pyramidimaging.com  
 813-786-3785