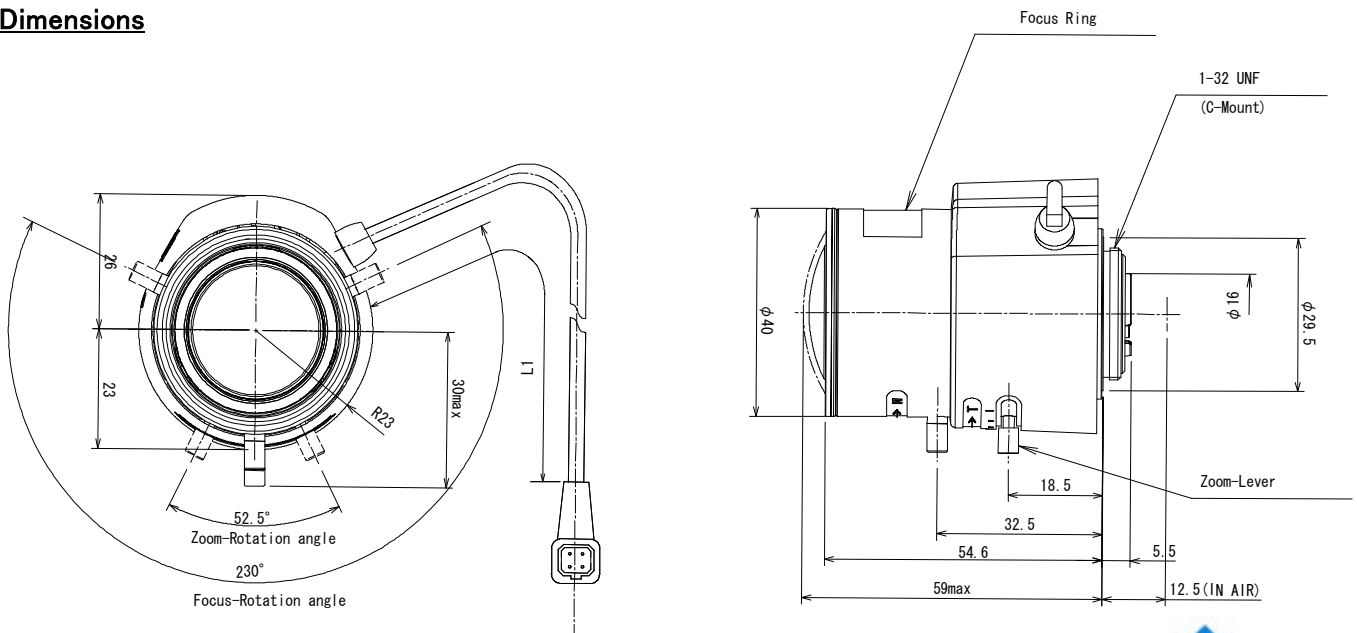


AG3Z2812FCS-MPWIR

3X 2.8mm-8.5mm F1.2 Day & Night
for 1/2.7 type Megapixel Cameras, Vari-focal, Auto Iris DC Drive
CS-Mount

| | | | | | | | |
|-----------------------|-------------------------------|---------------------|----------------|--------------------|----------------|------------------------------|---------------|
| Model No. | AG3Z2812FCS-MPWIR | | | Effective | Front | ϕ 24.8mm | |
| Focal Length | 2.8mm - 8.5mm | | | Lens Aperture | Rear | ϕ 8.4mm | |
| Max. Aperture Ratio | 1:1.2 | | | Back Focal Length | Tele | 7.3mm | |
| Max. Image Format | 3.2mm x 5.8mm (ϕ 6.6mm) | | | | Wide | 7.3mm | |
| Operation Range | Iris | F1.2 - F360C | | Flange Back Length | | 12.5mm | |
| | Focus | 0.5m - Inf. | | Mount | | CS-Mount | |
| | Zoom | 2.8mm - 8.5mm | | Filter Size | | - | |
| Control | Iris | DC Auto Iris | | Dimensions | | ϕ 40 mm x 49 mm x 59 mm | |
| | Focus | Manual | | Weight | | 67g | |
| | Zoom | Manual | | | | | |
| Angle of View | D | 1/2.7 type | 150.4° - 47.1° | 1/3 type | 130.4° - 42.8° | 1/4 type | 92.1° - 32.0° |
| | H | | 124.7° - 41.3° | | 99.1° - 34.1° | | 72.3° - 25.6° |
| | V | | 63.9° - 22.7° | | 72.3° - 25.6° | | 53.5° - 19.1° |
| Coil | Drive | 190 Ω /20°C | | | | | |
| | Control | 1310 Ω /20°C | | | | | |
| Operating Temperature | -10°C - +50°C | | | | | | |

Dimensions



Wiring Diagram



Pyramid Imaging
 945 East 11th Avenue Tampa, FL 33605
 sales@pyramidimaging.com
 www.pyramidimaging.com
 813-786-3785