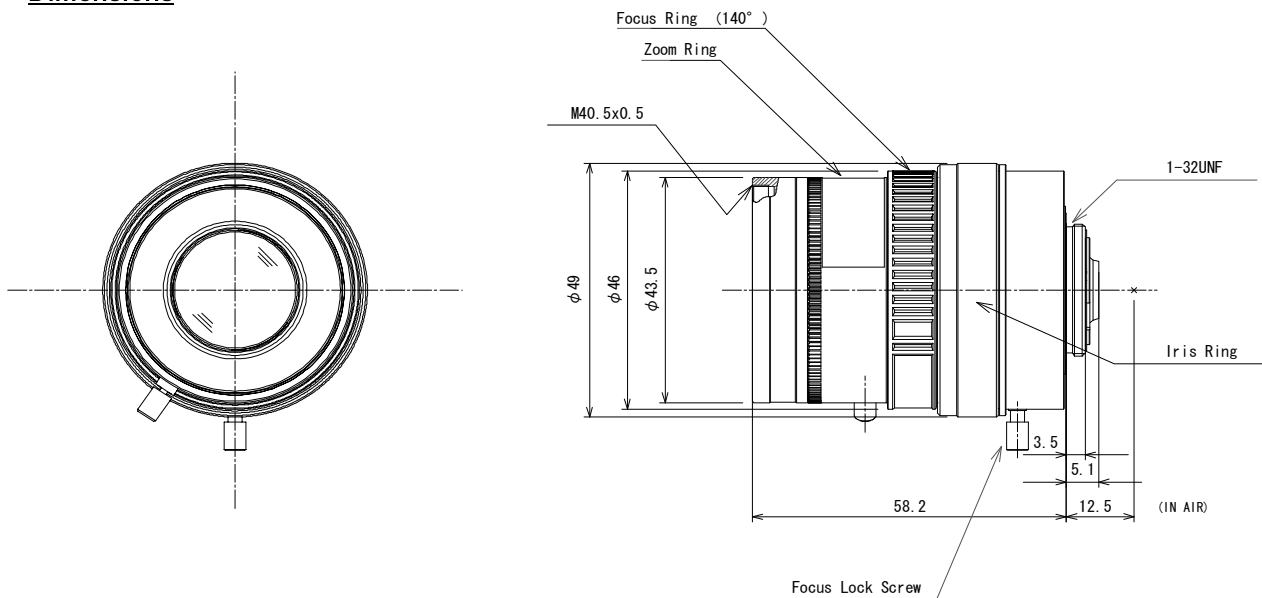


A6Z8516CS-MP

6X 8.5mm-50mm F1.6
for 1/2.7 type Megapixel Cameras, Vari-focal Manual Iris
CS-Mount

Model No.	A6Z8516CS-MP		Effective	Front	ϕ 21.7mm		
Focal Length	8.5mm - 50mm		Lens Aperture	Rear	ϕ 9.8mm		
Max. Aperture Ratio	1:1.6		Back Focal Length	Tele	9.4mm		
Max. Image Format	3.2mm x 5.8mm(ϕ 6.6mm)			Wide	10.7mm		
Operation Range	Iris	F1.6 - F16C		Flange Back Length		12.5mm	
	Focus	1.0m - Inf.		Mount		CS-Mount	
	Zoom	8.5mm - 50mm		Filter Size		M40.5 P=0.5mm	
Control	Iris	Manual		Dimensions		ϕ 49 mm x 58.2 mm	
	Focus	Manual		Weight		77g	
	Zoom	Manual					
Angle of View	D	1/2.7 type (16:9)	43.7° - 7.7°	1/2.7 type (4:3)	43.7° - 7.7°	1/3 type (4:3)	39.7° - 7.1°
	H		38.0° - 6.8°		34.8° - 6.2°		31.6° - 5.7°
	V		21.3° - 3.9°		26.0° - 4.7°		23.7° - 4.3°
Operating Temperature	-10°C - +50°C						

Dimensions



945 East 11th Avenue Tampa, FL 33605

Phone: (813) 984-0125

Contact: Sales@pyramidimaging.com

<https://pyramidimaging.com>