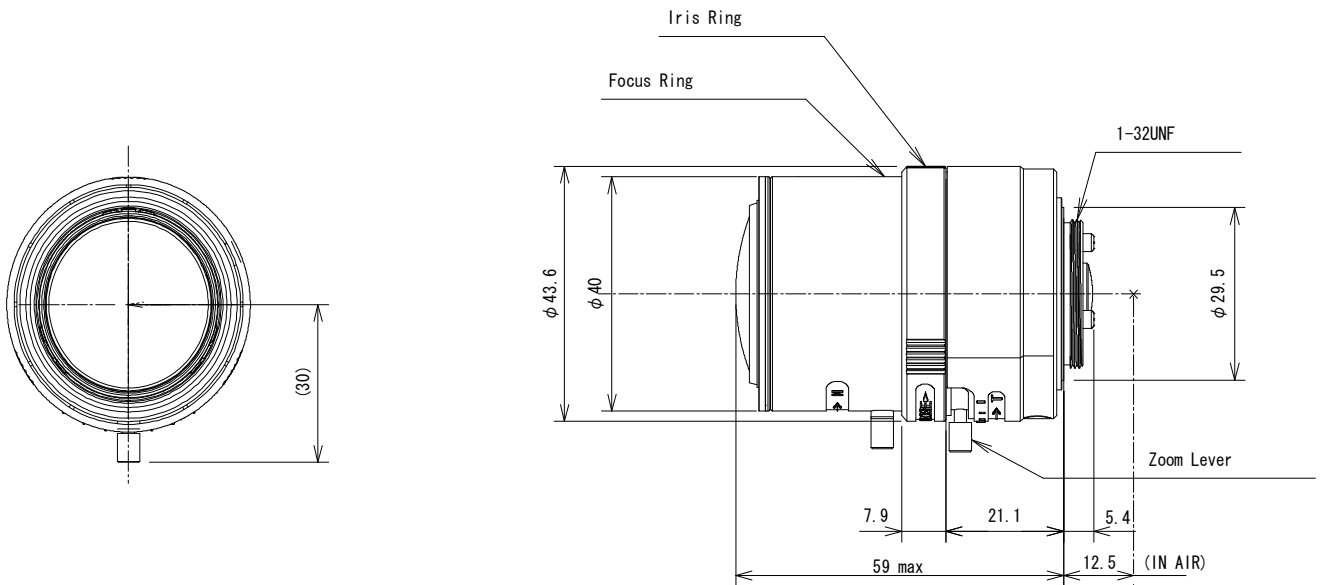


A4Z2812CS-MPIR

**4X 2.8mm-10mm F1.2 Day & Night
for 1/2.7 type Megapixel Cameras, Vari-focal Manual Iris
CS-Mount**

Model No.	A4Z2812CS-MPIR		Effective	Front	ϕ 27.0mm		
Focal Length	2.8mm - 10mm		Lens Aperture	Rear	ϕ 9.7mm		
Max. Aperture Ratio	1:1.2		Back Focal Length	Tele	7.3mm		
Max. Image Format	3.2mm x 5.8mm(ϕ 6.6mm)			Wide	7.3mm		
Operation Range	Iris	F1.2 - F16C		Flange Back Length		12.5mm	
	Focus	0.5m - Inf.		Mount		CS-Mount	
	Zoom	2.8mm - 10mm		Filter Size		-	
Control	Iris	Manual		Dimensions		ϕ 43.6 mm \times 59 mm	
	Focus	Manual		Weight		63g	
	Zoom	Manual					
Angle of View	D	1/2.7 type	154.0° - 39.0°	1/3 type	133.5° - 35.5°	1/4 type	94.1° - 26.6°
	H		127.6° - 34.3°		101.3° - 28.4°		73.7° - 21.3°
	V		65.0° - 18.9°		73.7° - 21.3°		54.4° - 16.0°
Operating Temperature	-10°C - +50°C						

Dimensions



Unit : mm



945 East 11th Avenue Tampa, FL 33605

Phone: (813) 984-0125

Contact: Sales@ pyramidimaging.com

<https://pyramidimaging.com>