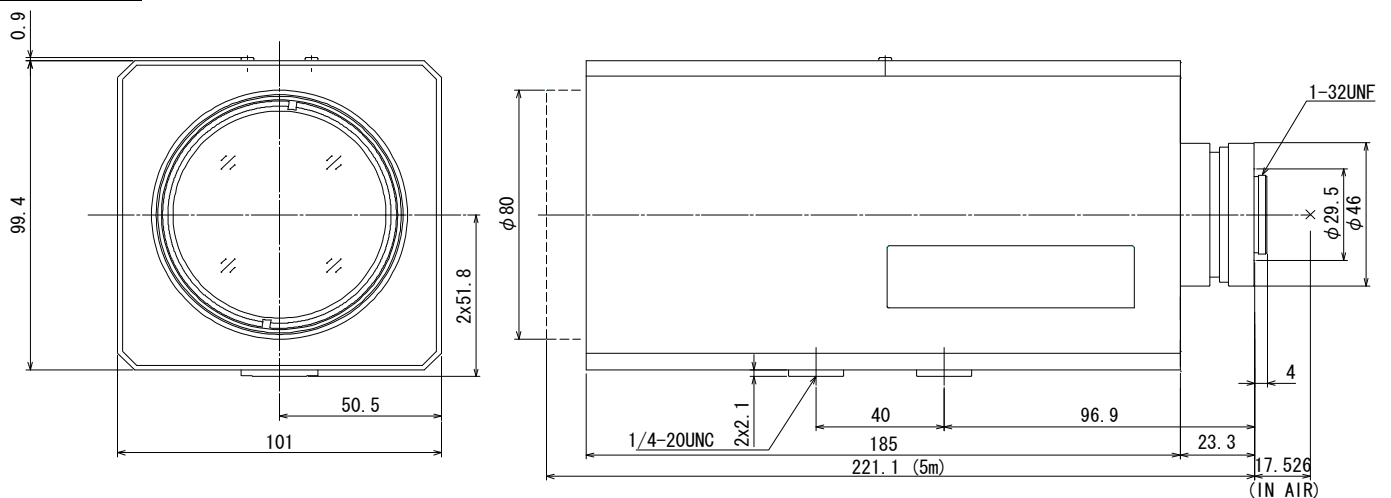


24X 15mm-360mm F2.7
for 2/3 type Megapixel Cameras, Motorized Zoom
C-Mount

Model No.	M24Z1527PDC-MP			Effective	Front	ϕ 66mm	
Focal Length	15mm - 360mm			Lens Aperture	Rear	ϕ 13.8mm	
Max. Aperture Ratio	1:2.7			Back Focal Length	19.3mm		
Max. Image Circle	ϕ 11mm			Flange Back Length	17.526mm		
Operation Range	Iris	F2.7 - F500C		Mount	C-Mount		
	Focus	5m - Inf.		Filter Size	M77 P=1mm		
	Zoom	15mm - 360mm		Tripod Screw	1/4 -20UNC		
Control	Iris	DC Auto Iris		Dimensions	W101mm x H102.4mm x D221.1mm		
	Focus	Motorized		Weight	2180g		
	Zoom	Motorized					
Angle of View	D	2/3 type	40.2° - 1.8°	1/1.8 type	32.8° - 1.5°	1/2 type	29.4° - 1.3°
	H		32.3° - 1.4°				23.6° - 1.0°
	V		24.4° - 1.1°				17.8° - 0.8°
		Iris		Focus		Zoom	
Supply Voltage	---			DC6V	DC6V		
Current	---			90mA or less	90mA or less		
Response Time	---			Approx. 6.5 sec.	Approx. 6.5 sec.		
Preset Potentiometer	---			5k Ω VR	5k Ω VR		
Coil	Drive	190 Ω					
	Control	1000 Ω					
Operating Temperature	-10°C - +50°C						

Dimensions



Wiring Diagram

