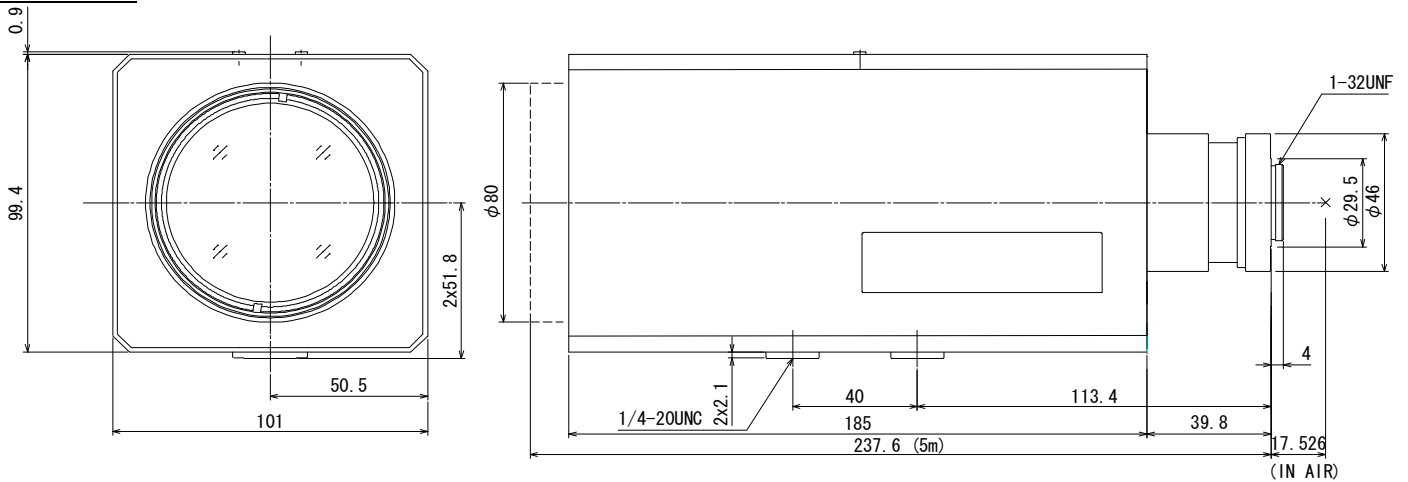




24X 21mm-500mm F3.8
for 2/3 type Megapixel Cameras, Motorized Zoom
C-Mount

Model No.	M24Z2138PDC-MP			Effective	Front	ϕ 66mm	
Focal Length	21mm - 500mm			Lens Aperture	Rear	ϕ 14.5mm	
Max. Aperture Ratio	1:3.8			Back Focal Length	21.3mm		
Max. Image Circle	ϕ 11mm			Flange Back Length	17.526mm		
Operation Range	Iris	F3.8 - F500C		Mount	C-Mount		
	Focus	5m - Inf.		Filter Size	M77 P=1mm		
	Zoom	21mm - 500mm		Tripod Screw	1/4 -20UNC		
Control	Iris	DC Auto Iris		Dimensions	W101mm x H102.4mm x D237.6mm		
	Focus	Motorized		Weight	2240g		
	Zoom	Motorized					
Angle of View	D	2/3 type	29.4° - 1.3°	1/1.8 type	23.6° - 1.0°	1/2 type	21.4° - 0.9°
	H		23.5° - 1.0°				17.1° - 0.8°
	V		17.6° - 0.8°				12.8° - 0.6°
	Iris	Focus		Zoom			
Supply Voltage	---			DC6V	DC6V		
Current	---			90mA or less	90mA or less		
Response Time	---			Approx. 6.5 sec.	Approx. 6.5 sec.		
Preset Potentiometer	---			5k Ω VR	5k Ω VR		
Coil	Drive	190 Ω					
	Control	1000 Ω					
Operating Temperature	-10°C - +50°C						

Dimensions



Wiring Diagram

PRESET POTENTIOMETER

