

## M3514-SW

f=35mm F1.4

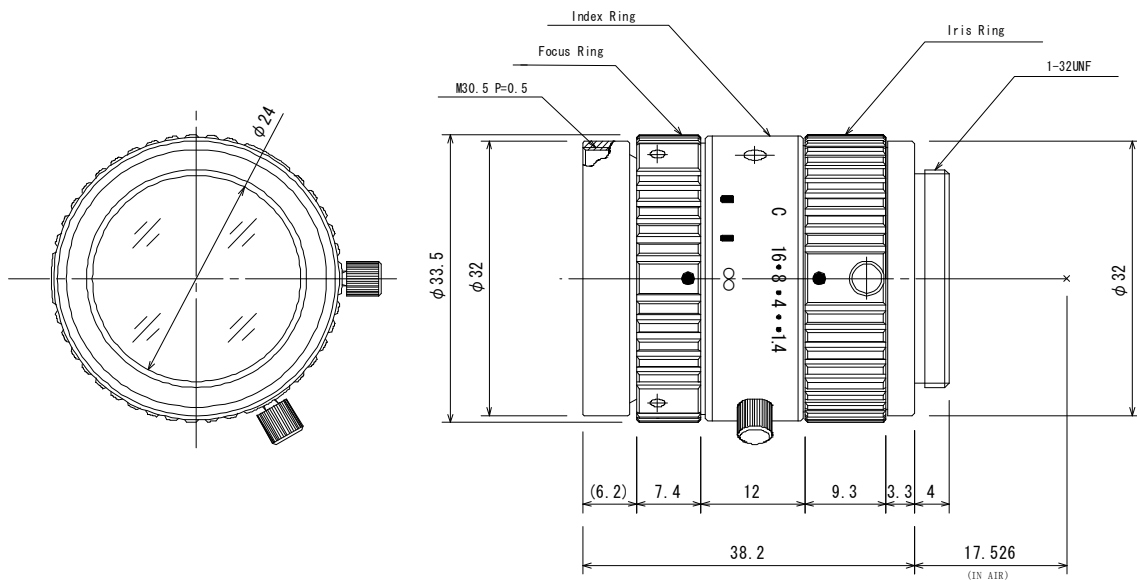
for 2/3 type SWIR (800nm~1700nm) Cameras

C-Mount

Model No.	M3514-SW		Effective	Front	φ 24mm		
Focal Length	35mm		Lens Aperture	Rear	φ 12mm		
Max. Aperture Ratio	1:1.4		Distortion	2/3type	-0.1% (γ=5.5)		
Max. Image Circle	φ 12.3mm			1/2type	0% (γ=4.0)		
Operation Range	Iris	F1.4 - F16C		Back Focal Length		14.6mm	
	Focus	0.3m - Inf.		Flange Back Length		17.526mm	
Control	Iris	Manual		Mount		C-Mount	
	Focus	Manual		Filter Size		M30.5 P=0.5mm	
Object Dimension at M.O.D	2/3 type	8.0cm x 6.0cm		Dimensions		φ 33.5mm x 38.2mm	
	1/2 type	5.8cm x 4.4cm		Weight		87g	
Angle of View	D	2/3 type	18.4°	1/2 type	13.4°		
	H	H8.80mm x V6.60mm	14.7°	H6.40mm x V4.80mm	10.7°		
	V		11.1°		8.1°		
Angle of View (InGaAs Detector)	D	640 x 512	20.5°	320 x 256	17.1°	320 x 256	13.7°
	H	(Pixel Pitch : 15 μm)	16.0°	(Pixel Pitch : 25 μm)	13.4°	(Pixel Pitch : 20 μm)	10.7°
	V	H9.60mm x V7.68mm	12.9°	H8.00mm x V6.40mm	10.7°	H6.40mm x V5.12mm	8.6°
Operating Temperature	-10°C - +50°C						

M.O.D : Minimum Object Distance

### Dimensions



945 East 11<sup>th</sup> Avenue Tampa, FL 33605

Phone: (813) 984-0125

Contact: Sales@pyramidimaging.com

<https://pyramidimaging.com>