

M5018-SW

f=50mm F1.8

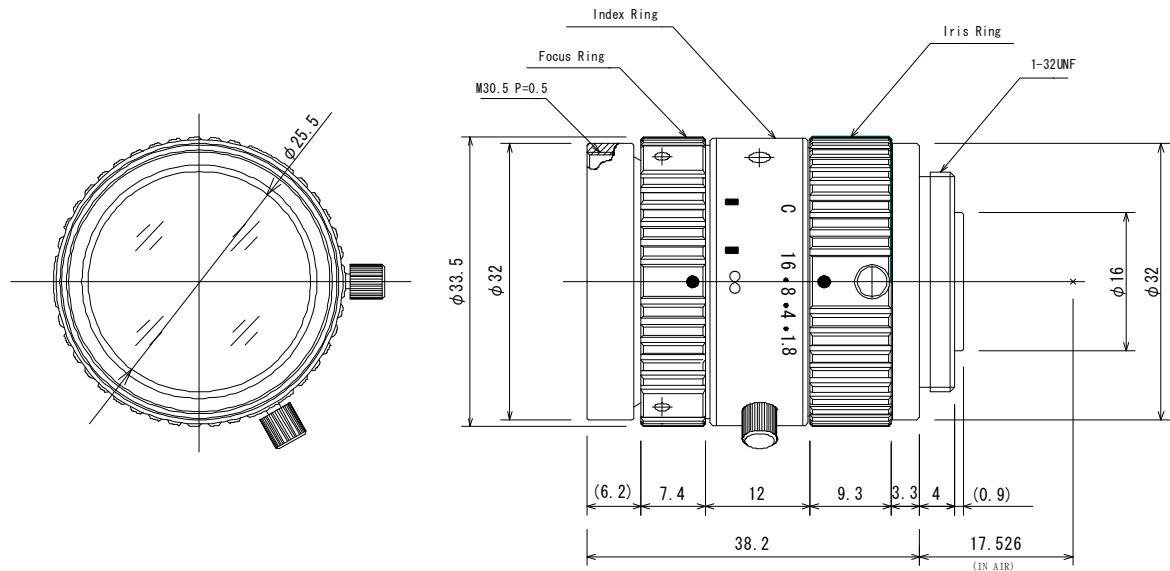
for 2/3 type SWIR (800nm~1700nm) Cameras

C-Mount

Model No.		M5018-SW		Effective	Front	φ 25.5mm	
Focal Length		50mm		Lens Aperture	Rear	φ 9.6mm	
Max. Aperture Ratio		1:1.8			Distortion	2/3type	-0.3% (y=5.5)
Max. Image Circle		φ 12.3mm		1/2type		-0.1% (y=4.0)	
Operation Range	Iris	F1.8- F16C		Back Focal Length		13.6mm	
	Focus	0.6m - Inf.		Flange Back Length		17.526mm	
Control	Iris	Manual		Mount		C-Mount	
	Focus	Manual		Filter Size		M30.5 P=0.5mm	
Object Dimension at M.O.D	2/3type	10.4cm x 7.8cm		Dimensions		φ 33.5mm x 38.2mm	
	1/2type	7.6cm x 5.7cm		Weight		85g	
Angle of View	D	2/3 type	13.0°	1/2 type	9.5°		
	H	H8.80mm x V6.60mm	10.4°	H6.40mm x V4.80mm	7.6°		
	V		7.8°		5.7°		
Angle of View (InGaAs Detector)	D	640 x 512	14.5°	320 x 256	12.1°	320 x 256	9.7°
	H	(Pixel Pitch : 15 μm)	11.3°	(Pixel Pitch : 25 μm)	9.5°	(Pixel Pitch : 20 μm)	7.6°
	V	H9.60mm x V7.68mm	9.1°	H8.00mm x V6.40mm	7.6°	H6.40mm x V5.12mm	6.1°
Operating Temperature		-10°C - +50°C					

M.O.D : Minimum Object Distance

Dimensions



945 East 11th Avenue Tampa, FL 33605

Phone: (813) 984-0125

Contact: Sales@pyramidimaging.com

<https://pyramidimaging.com>