

VP-65MX-M/C 31 I

65 Megapixel Thermoelectric Peltier Cooled Camera



The VP-65MX-31 I, the latest model of the industrial proven VP series, is a new 65 megapixel CoaXPress camera featuring the latest CMOS image sensor technology (GMAX3265) from Gpixel. The VP-65MX-31 I offers up to 31.6 frames per second at 9344 × 7000 resolution. This camera uses thermo-electric Peltier (TEC) cooling technology developed for and used by many demanding medical market customers. The TEC maintains the operating temperature of the CMOS image sensor at up to 15 degrees below ambient temperature. This camera provides a stable operating condition and the ability to expose for a long period of time to increase camera sensitivity. Featured with the stable operating capability and high resolution, this camera is ideal for demanding applications such as FPD, PCB and semiconductor inspections.

VP-65MX-M/C 31 I

65 Megapixel Thermoelectric Peltier Cooled Camera

Main Features

- Thermoelectric Peltier Cooled – 15°C below
- 65 Megapixel Resolution
- CoaXPress Interface up to 31.6 fps at 25 Gbps using 4 CH
- Global Shutter CMOS Technology
- DSNU and PRNU Correction
- Flat Field Correction
- Defective Pixel Correction
- GenICam Compatible – XML based Control

Applications

- Flat Panel Display Inspection
- Electronics Inspection
- Semiconductor Inspection
- Document / Film Scanning

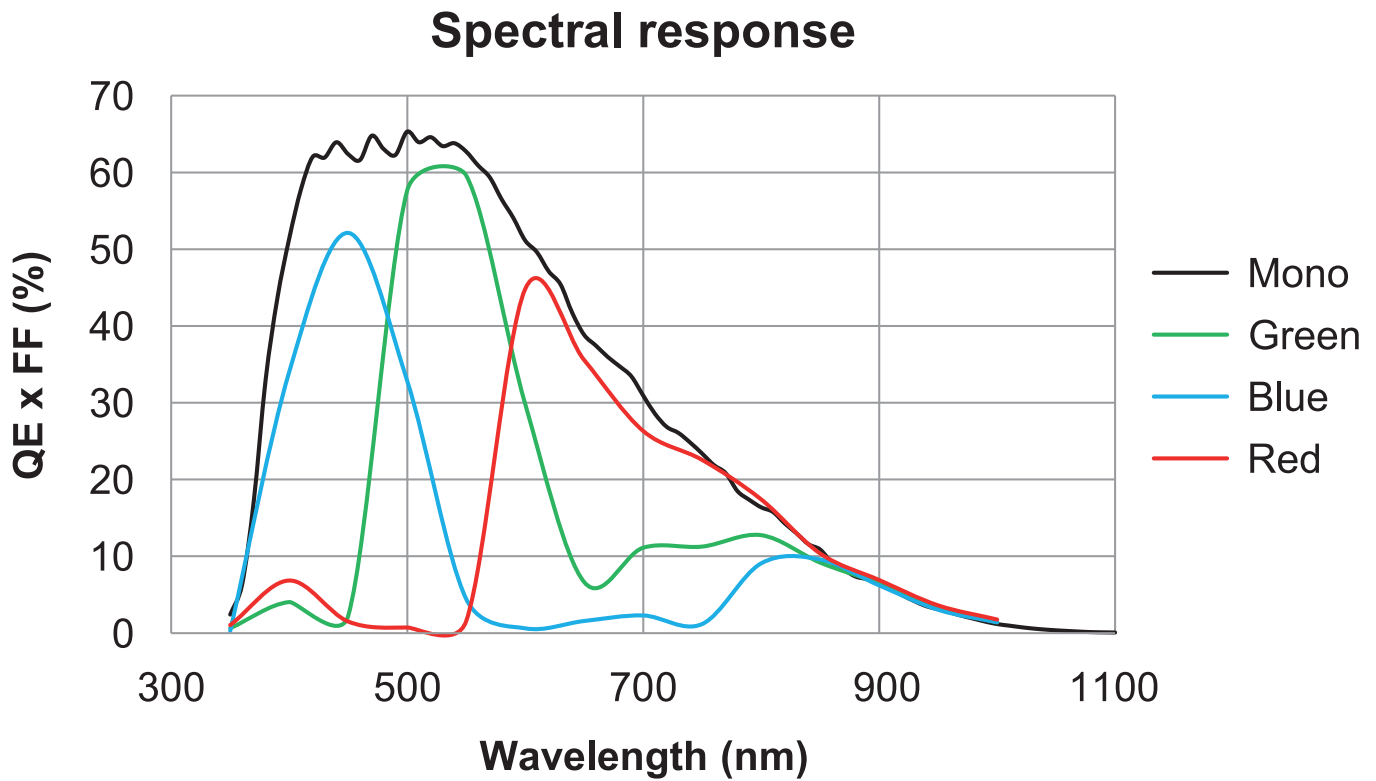
Specifications

Model	VP-65MX-M/C 31 I	
Resolution (H × V)	9344 × 7000	
Sensor	Gpixel GMAX3265 – Normal Speed	
Sensor Size (Diagonal)	29.9 mm × 22.4 mm (37.4 mm)	
Pixel Size	3.2 μm × 3.2 μm	
Interface	CoaXPress	
Max. Frame Rate	4 CH: 31.6 fps @ 8 bit	
	4 CH: 27.3 fps @ 10 bit	
	4 CH: 24.1 fps @ 12 bit	
	4 CH: 31.6 fps @ 8 bit 2 × 2 Binning	
Exposure Time (1 μs step)	14 μs – 60 s	
Partial Scan (Max. Speed)	6349.2 fps at 4 Lines	
Binning	2 × 2 Binning	
Pixel Data Format	Mono	Mono 8 / Mono 10 / Mono 12
	Color	GB Bayer 8 / GB Bayer 10 / GB Bayer 12
Electronic Shutter	Global Shutter	
Trigger Synchronization	Free-Run, Hardware Trigger, Software Trigger or CXP	
External Trigger	3.3 V ~ 24.0 V, 10 mA, Logical Level Input, Optically Isolated	
Software Trigger	Asynchronous, Programmable via Camera API	
Dynamic Range	66 dB @ 12 bit	
Gain Control	1 × ~ 32 ×	
Black Level Control	0 ~ 255 LSB at 12 bit	
Cooling Method	Thermoelectric Peltier Cooling	
Cooling Performance	15°C below ambient temperature – Standard cooling with a fan	
Dimension / Weight	90 mm × 90 mm × 145 mm, 1,500 g (with F-mount)	
Temperature	Operating: 0°C ~ 40°C, Storage: -40°C ~ 70°C	
Lens Mount	F-mount, Custom mount available upon request	
Power	External	11 ~ 24 V DC
	Dissipation	Typ. 26.0 W
Compliance	CE, FCC, KC (in preparation)	
API SDK	Viewworks Imaging Solution 7.X	

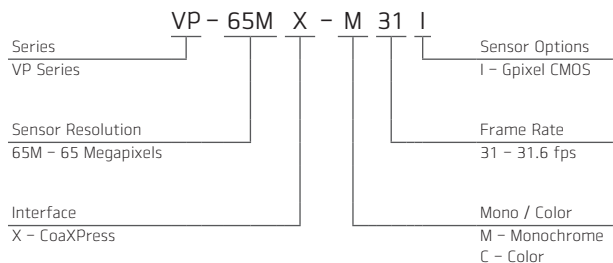
VP-65MX-M/C 31 I

65 Megapixel Thermoelectric Peltier Cooled Camera

Spectral Response



Ordering Scheme



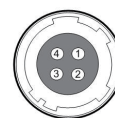
Connector Specification

Power



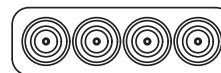
1, 2, 3: +12V DC
4, 5, 6: GND
(HR10A-7R-6PB)

Control



1: Trigger IN+
2: Trigger IN-
3: Strobe Out-(GND)
4: Strobe Out+
(HR10A-7R-4S)

Data Transfer / Communications



CH1 CH2 CH3 CH4

CH1: Master Connection
75 Ω, DIN 1.0/2.3

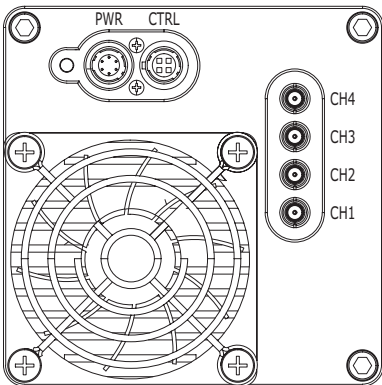
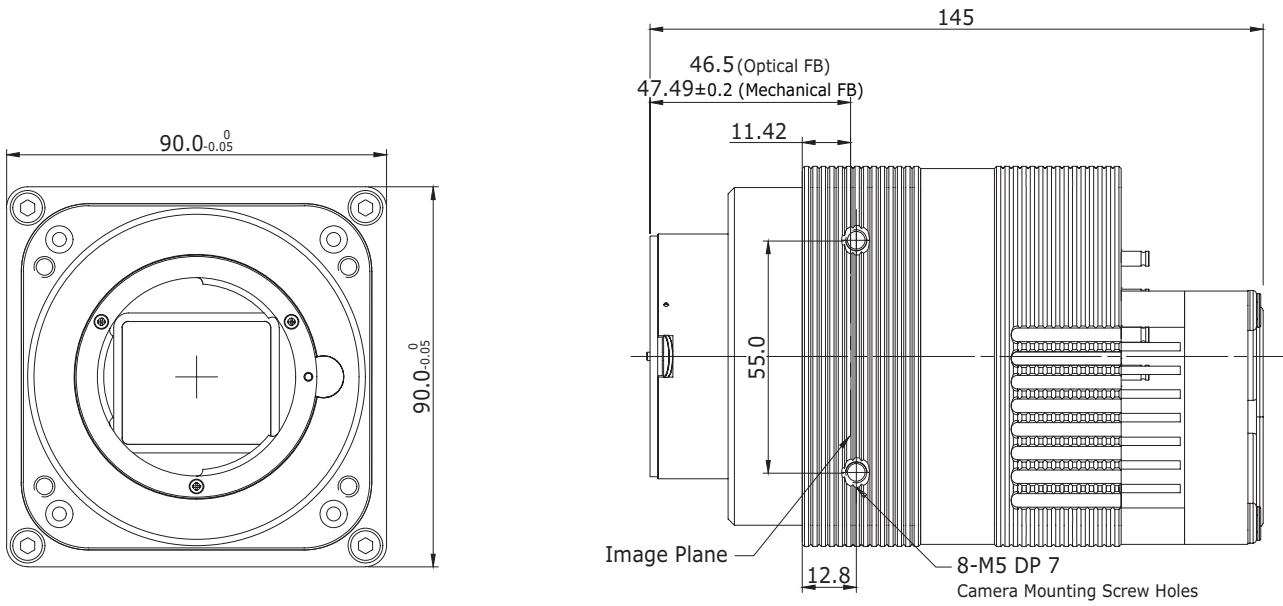
Connectors on camera body

VP-65MX-M/C 31 I

65 Megapixel Thermoelectric Peltier Cooled Camera

Mechanical Dimensions

Unit: mm



945 East 11th Avenue Tampa, FL 33605

Phone: (813) 984-0125

Contact: Sales@pyramidimaging.com

<https://pyramidimaging.com>