

VC-101MX-M/C 9 H VC-151MX-M/C 6 H

Ultra High Resolution CMOS Digital Camera



CoaXPress®

The VC-101MX and VC-151MX, the latest models of the industrial proven VC series, are new 101 and 151 megapixel CoaXPress cameras and based on the latest CMOS image sensor technology (IMX461 and IMX411) from Sony Semiconductor Solutions Corporation. The VC-101MX-9 offers up to 8.7 frames per second at 11648 × 8742 resolution. For even higher resolution applications, the VC-151MX-6 offers up to 6.2 frames per second at 14192 × 10640 resolution. Equipped with the Vieworks' innovative technologies proved by world's top FPD manufacturers, the VC-101MX and VC-151MX cameras offer not only highly uniformed images but also high speed image processing capabilities. Featured with high quality image uniformity and high resolution, these cameras are ideal for demanding applications such as FPD, PCB and semiconductor inspections.

VC-101MX-9 H / VC-151MX-6 H

Ultra High Resolution CMOS Digital Camera

Main Features

- 101 or 151 Megapixel Resolution
- CoaXPress Interface
- Electronic Rolling Shutter
- DSNU and PRNU Correction
- Flat Field Correction with Sequencer Control
- Hot Pixel Correction
- Dynamic Defective Pixel Correction

Applications

- Flat Panel Display Inspection
- Electronics Inspection
- Semiconductor Inspection
- Document / Film Scanning

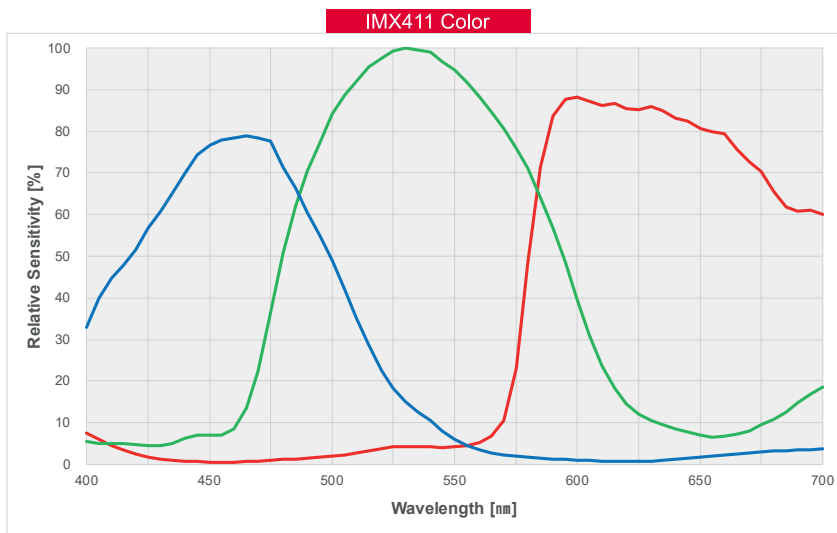
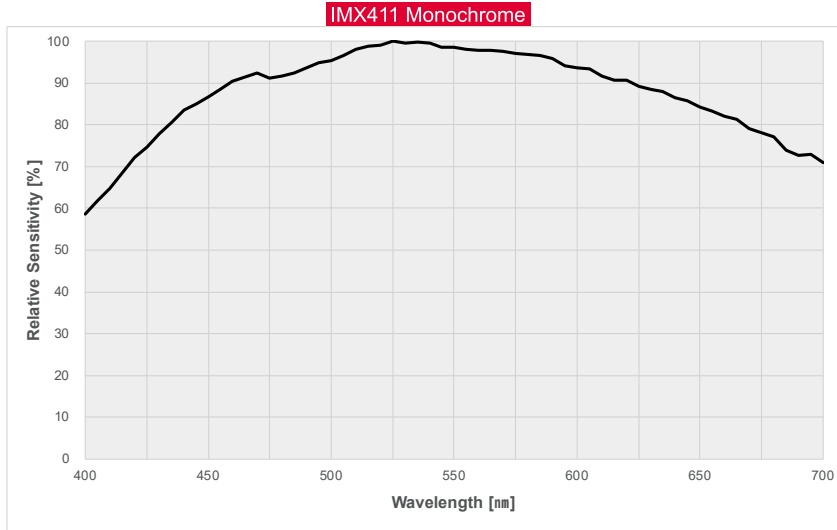
Specifications

| Model | | VC-101MX-M/C 9 H | VC-151MX-M/C 6 H |
|---------------------------|----------------------------|---|--|
| Resolution (H × V) | | 11648 × 8742 | 14192 × 10640 |
| Sensor | | SONY IMX461 | SONY IMX411 |
| Sensor Size (Diagonal) | | 43.80 mm × 32.87 mm (55 mm) | 53.36 mm × 40.01 mm (66.7 mm) |
| Pixel Size | | 3.76 μm × 3.76 μm | |
| Interface | | CoaXPress (CXP-3 / CXP-6) | |
| Max. Frame Rate | | 8.7 fps (with Overlapped Acquisition) | 6.2 fps (with Overlapped Acquisition) |
| Exposure Time (1 μs step) | | 1 μs – 60 s | |
| Binning | Sensor | ×1, ×3 (Horizontal and Vertical Dependent) | |
| | Logic | ×1, ×2, ×4 (Horizontal and Vertical Independent) | |
| Pixel Data Format | | 8 / 10 / 12 / 14 / 16 bit | |
| Electronic Shutter | | Rolling Shutter | |
| Trigger Synchronization | Overlapped Acquisition | Free-Run | |
| | Non-overlapped Acquisition | Hardware Trigger, Software Trigger or CXP | |
| Dynamic Range | | 78 dB | |
| Gain Control | | 1 × ~ 32 × | |
| Black Level Control | | 0 ~ 4095 LSB at 16 bit | |
| Dimension / Weight | | 90 mm × 90 mm × 92.5 mm, 800 g (with M-72 mount) | 100 mm × 100 mm × 92.5 mm, 1070 g (with M-72 mount) |
| Temperature | | Operating: 0°C ~ 40°C, Storage: -40°C ~ 70°C | |
| Software Trigger | | Asynchronous, Programmable via Camera API | |
| Lens Mount | | M72-mount, Custom mount available upon request | |
| Power | External | 11 ~ 24 V DC | |
| | Dissipation | Typ. 15.5 W | |
| Compliance | | CE, FCC, KC | |
| API SDK | | Viewworks Imaging Solution 7.X | |

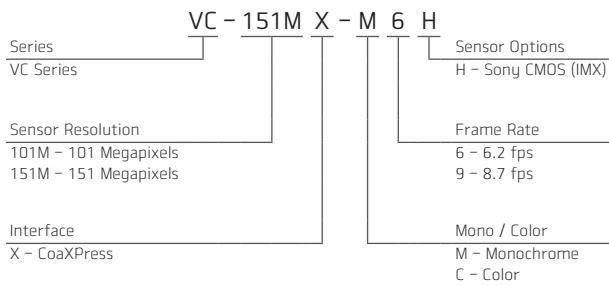
VC-101MX-9 H / VC-151MX-6 H

Ultra High Resolution CMOS Digital Camera

Relative Sensitivity Curves



Ordering Scheme



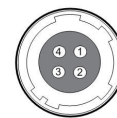
Connector Specification

Power



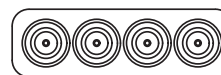
1, 2, 3: +12V DC
4, 5, 6: GND
(HR10A-7R-6PB)

Control



1: Trigger IN+
2: Trigger IN-
3: Strobe OUT-(GND)
4: Strobe OUT+
(HR10A-7R-4S)

Data Transfer / Communications



CH1 CH2 CH3 CH4

CH1: Master Connection
75 Ω, DIN 1.0/2.3

Connectors on camera body

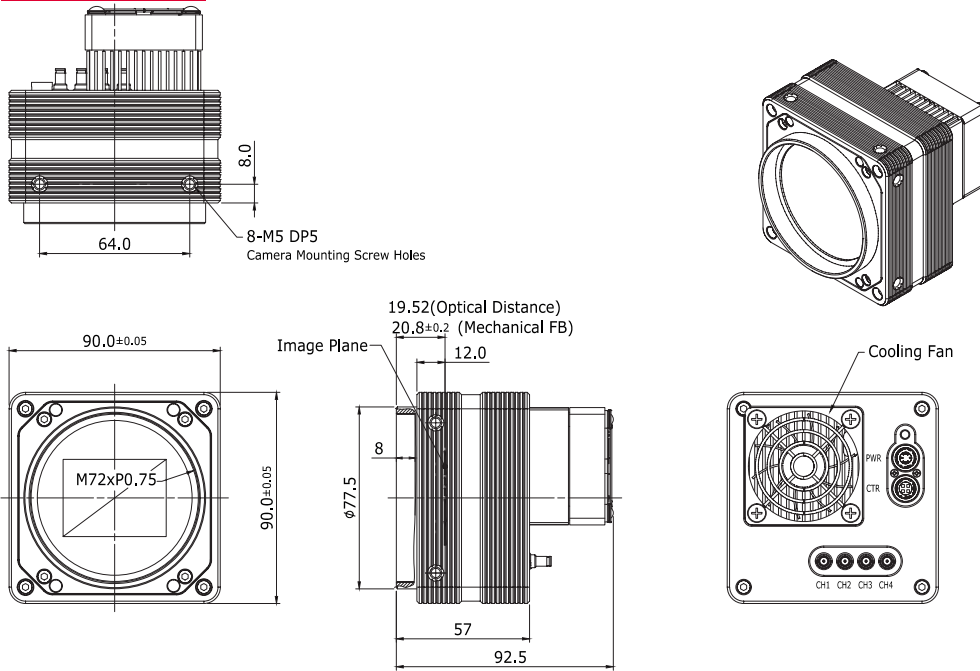
VC-101MX-9 H / VC-151MX-6 H

Ultra High Resolution CMOS Digital Camera

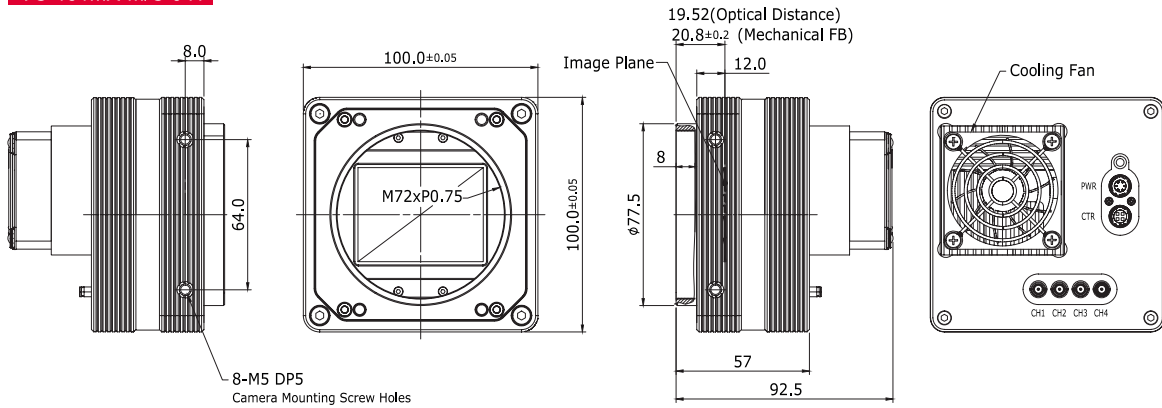
Mechanical Dimensions

Unit: mm

VC-101MX-M/C 9 H



VC-151MX-M/C 6 H



945 East 11th Avenue Tampa, FL 33605

Phone: (813) 984-0125

Contact: Sales@pyramidimaging.com

<https://pyramidimaging.com>

