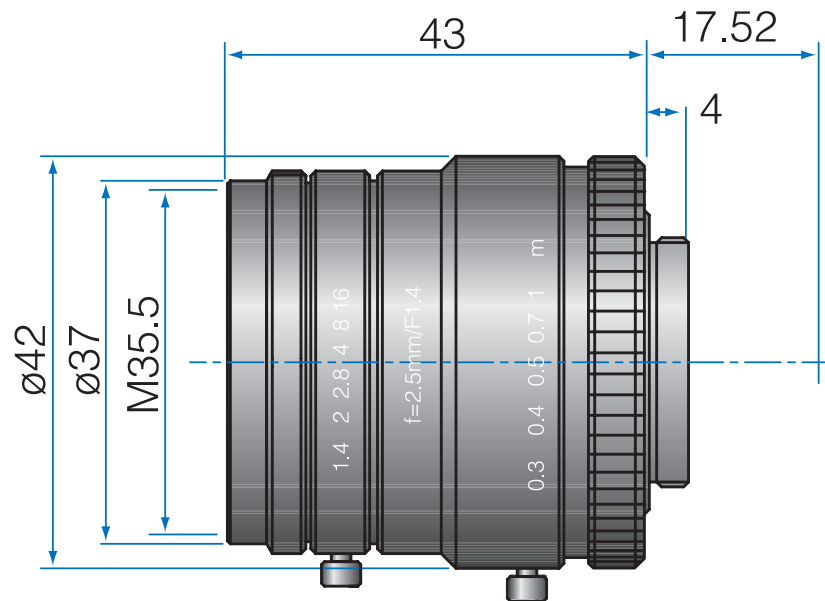


1.5 MP 1" Fixed-Focal

GMHR412514MCN



Part No.	GMHR412514MCN
Focal Length	12.5mm
Iris Range	f/1.4-16
Lens Format	1"
Resolution	120 lp/mm
MOD	300mm
Mount	C
Filter Thread	M35.5 x P0.5
Angle of View (HxVxD) 1"	55.6° x 42.5° x 67.7°
Weight	150g
Dimension (DxL)	$\varnothing 42 \times 52$



945 East 11th Avenue Tampa, FL 33605

Phone: (813) 984-0125

Contact: Sales@pyramidimaging.com

<https://pyramidimaging.com>