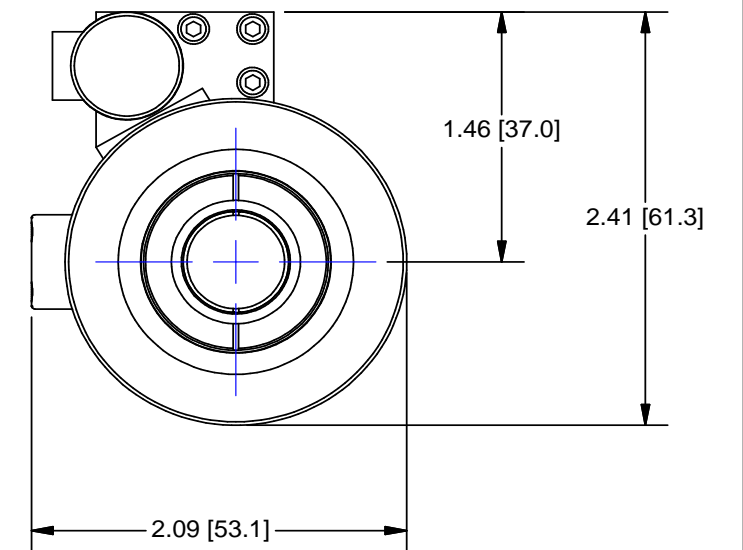
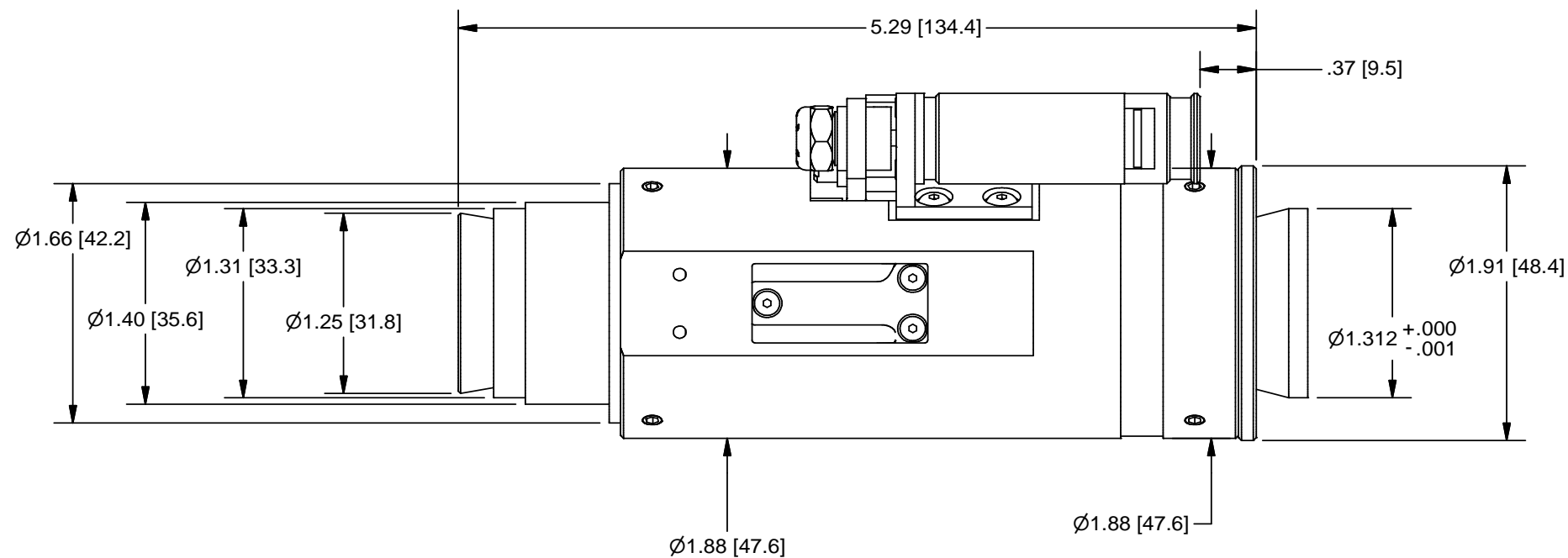
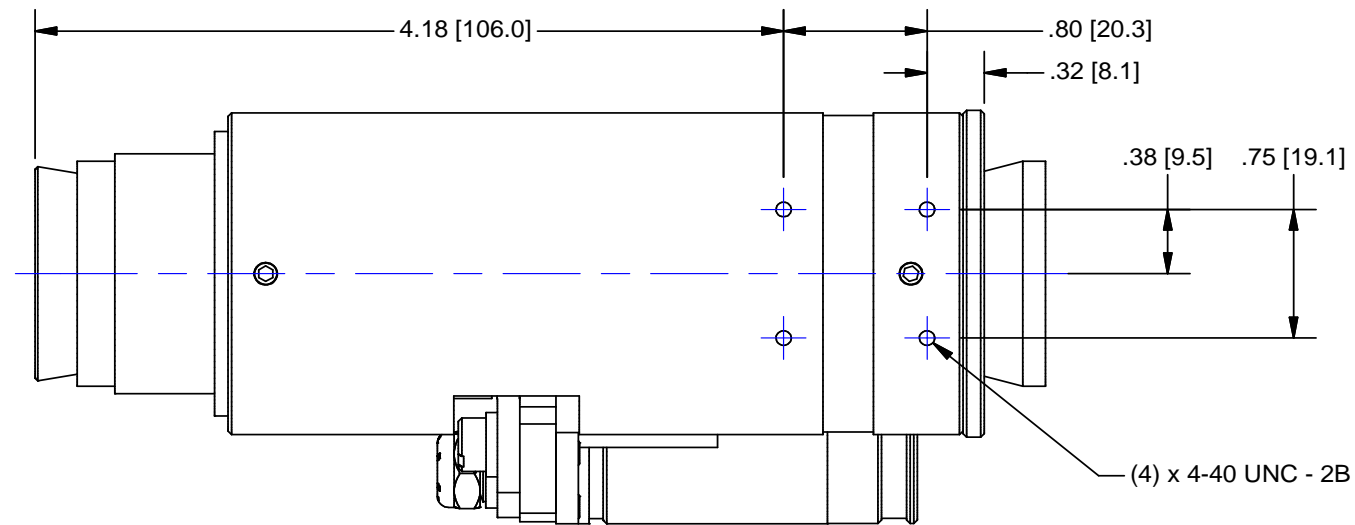
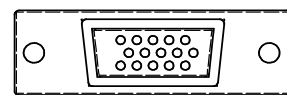


REV	CHANGE RECORD AND DATE	CH
A	RELEASE 09/04/03	



**2-PHASE MOTOR PINOUT**

- PIN 3 = +5Vdc
- PIN13 = COMMON
- PIN 8 = FAR LIMIT
- PIN 12 = NEAR LIMIT
- PIN 1 = MOTOR A+
- PIN 7 = MOTOR A-
- PIN 6 = MOTOR B+
- PIN 11 = MOTOR B-

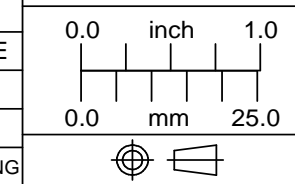


15 PIN HIGH DENSITY D-SUB

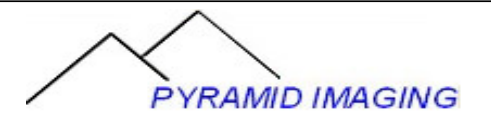
**USED ON:**

<b>MATERIAL:</b>	UNLESS OTHERWISE SPECIFIED DIMENSIONS ARE IN INCHES AND INCLUDE CHEMICALLY APPLIED OR PLATED FINISHES	<b>P/N SUFFIX DEFINITION</b> -1 CONVERSION COATING -2 PAINTING -3 MARKING -R REWORK
<b>FINISH:</b>	<b>TOLERANCES:</b> DEC. .XXX ± .005 DEC. .XX ± .010 FRACT. ± 1/64 ANGLES ± 30' CONCENTRICITY .003 TIR BREAK ALL SHARP EDGES .005 MIN. .010 MAX MAX. SURF. ROUGHNESS 32 √	SCALE: 1:1 DR.: R. PODLENA CH.: P. BONAFEDE APP.: DATE DR.: 9/18/2003 DO NOT SCALE DRAWING
CHAMFER ALL THREADS 30° TO ROOT DIAM.		

THE CONTENTS OF THIS DOCUMENT ARE PROPRIETARY TO NAVITAR, ITS USE IS AUTHORIZED ONLY FOR RESPONDING TO REQUEST FOR QUOTATION OR PERFORMANCE OF WORK FOR NAVITAR



**OUTLINE**



MOTORIZED (STEP) 12X w/ 2 POS LS (HE)

SIZE	1-51314	REV
<b>B</b>	SHEET 1 OF 1	<b>A</b>



945 East 11<sup>th</sup> Avenue Tampa, FL 33605

Phone: (813) 984-0125

Contact: Sales@pyramidimaging.com

https://pyramidimaging.com