
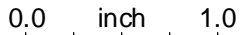


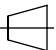


OUTLINE

Pyramid Imaging, Inc.
 945 East 11th Avenue
 Tampa, FL 33605
 www.pyramidimaging.com
 sales@pyramidimaging.com
 +1 813 984 0125

UNLESS OTHERWISE SPECIFIED DIMENSIONS ARE IN INCHES AND INCLUDE CHEMICALLY APPLIED OR PLATED FINISHES		THE CONTENTS OF THIS DOCUMENT ARE PROPRIETARY TO NAVITAR, ITS USE IS AUTHORIZED ONLY FOR RESPONDING TO REQUEST FOR QUOTATION OR PERFORMANCE OF WORK FOR NAVITAR		 PYRAMID IMAGING	
SCALE:	1:1	0.0 inch 1.0  0.0 mm 25.0 		0.5X LENS ATTACHMENT	
WEIGHT:				SIZE	1-50012 SHEET 2 OF 2
DR:	BE	A	REV	B	
CH:			DO NOT SCALE DRAWING		
PROJECT #:		 			
DATE DR:	10/28/2002				