



945 East 11th Avenue Tampa, FL 33605

Phone: (813) 984-0125

Contact: Sales@pyramidimaging.com

<https://pyramidimaging.com>

Ultra Compact Telecentric

VS-MTC

3.45 μ m

SERIES

Industry's Smallest and Lightest ^{*1}
S-mount Telecentric Lens

*1: An in-company investigation (Apr. 2019)



1.6 Mega Pixel, 1/2.9"
Opt. Mag.: 0.69x / 1.0x / 2.0x
WD: 15mm (O/I < 55mm)



Industry's Smallest and Lightest *1 S-mount Telecentric Lens

*1: An in-company investigation (Apr. 2019)

Features

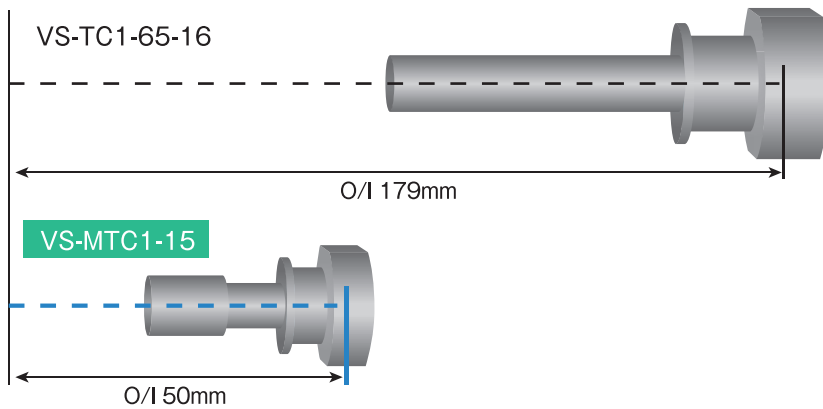
- Ultra compact and light weight 10g (1.0x) Telecentric lens.
- 3 models 0.69x/1.0x/2.0x
- 3.45 μ m Resolution
- Optional lock ring is available



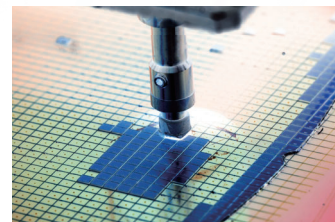
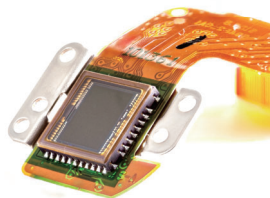
Model No.	Opt. Mag.	Coaxial	WD	O/I	Dimension	Max Sensor
VS-MTC069-15	0.69x	-	15mm	55mm	ϕ 15 x L=35mm	1/2.9"
VS-MTC1-15	1.0x	-	15mm	50mm	ϕ 14 x L=30mm	1/2.9"
VS-MTC2-15	2.0x	-	15mm	55mm	ϕ 14 x L=35mm	1/2.9"

Compact Design

Short O/I design in combination with a compact camera enables to install a vision system into limited spaces!



Embedded Vision



International Sales Offices

VST Europe (Winterthur)
TEL: +41-52-508-0109

VST Poland (Warsaw)
TEL: +48-22-492-6683

VST Vietnam (Hanoi)
TEL: +84-24-6327-8566

VST Shenzhen (Shenzhen)
TEL: +86-755-8273-1420

VST Taiwan (Hsinchu)
TEL: +886-3-668-1381(ext.9)

VST America (Santa Clara)
TEL: +1-408-753-5115

VST Europe (Amsterdam)
TEL: +31-20-305-1310

VST Russia (Moscow)
TEL: +7-903-173-7231

VST India (Bengaluru)
TEL: +91-80888-31893

VST Shenzhen (Shanghai)
TEL: +86-21-6255-0725

VST Taiwan (Kaohsiung)
TEL: +886-7-586-8957

VST Mexico (Guadalajara)
TEL: +52-33-3002-4076

VST Europe (Paris)
TEL: +33-1-8288-5798

VST Thailand (Bangkok)
TEL: +662-260-0912

VST Korea (Seoul)
TEL: +82-2-2183-3848

VST Taiwan (Taipei)
TEL: +886-2-2531-2036

VST America (Chicago)
TEL: +1-847-952-3800