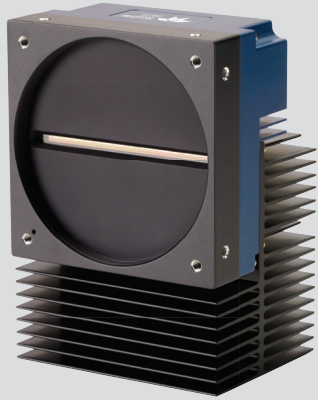




## Linea™ ML Trilinear

4k, 8k and 16k Trilinear Color CMOS Camera



### Key Features

- » High speed up to 100 kHzx3
- » RGB native colors
- » Independent exposure control
- » Subpixel spatial correction
- » Up to 100 m optical cable length

### Programmability

- » Multiple regions and areas of interest
- » Flat field and lens shading correction
- » Rapid switching of coefficient sets
- » GenICam™ compliant interface

### Typical Applications

- » Printing inspection
- » Printed circuit board inspection
- » Flat panel inspection
- » Digital pathology
- » Electronics inspection
- » Web inspection
- » Machine vision

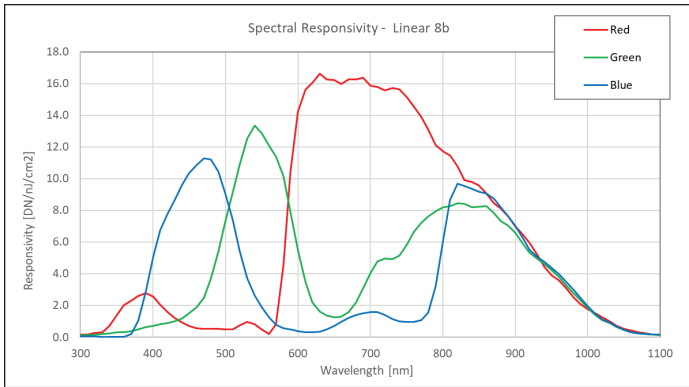
## High-Speed Color Camera with a Fiber Optic Interface

The Linea™ ML trilinear color CMOS cameras meet the requirements of demanding imaging applications with industry leading performance. Based on Teledyne DALSA's unique CMOS line scan technology, the Linea ML trilinear cameras deliver superb color images with a high-speed fiberoptic cable.

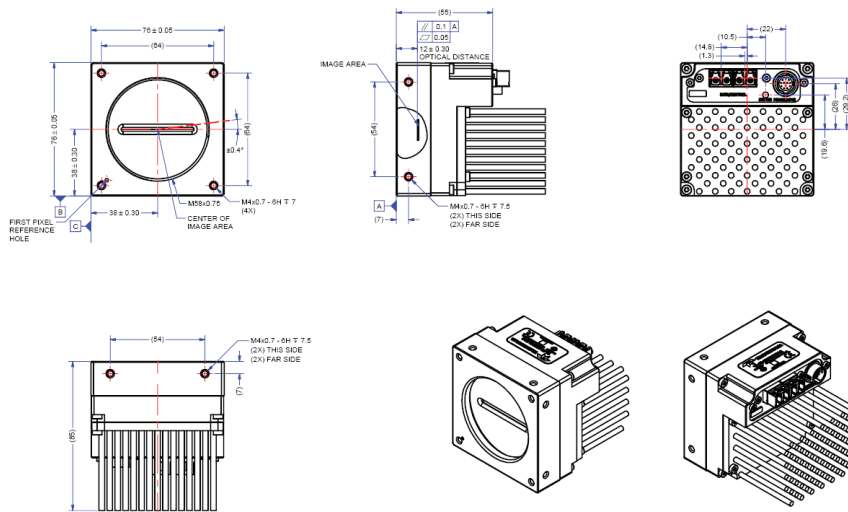
Specifications	
Resolution	4,096 x 3 pixels (4k); 8,192 x 3 pixels (8k) 16,384 x 3 pixels (16k)
Line Rate	100 kHz x 3 maximum
Pixel Size	10 x 10 / 5 x 5 μm
Data Format	8 bit
Output	RGB color
Lens Mount	M58 x 0.75 (4k, 8k) M90 x 1 (16k)
Responsivity	See graph
Dynamic Range	60 dB
Nominal Gain Range	1x to 10x
Size	76 mm x 76 mm x 85 mm (4k, 8k) 97 mm x 140.5 mm x 78.6 mm (16k)
Mass	500 g (4k, 8k) 1.2 kg (16k)
Operating Temp	0 °C to +65 °C, front plate
Power	+12 V to +24 V DC, Hirose 12-pin
Power Dissipation	<16 W (4k, 8k) <28 W (16k)
Control & Data	Camera Link HS, CX4/LC
GPIO	Direction and independent line control
Regulatory Compliance	CE, FCC, and RoHS

### Camera Model

Part Number	Resolution	Max. Line Rates	Pixel Size	Output
ML-FC-04k15T-00-R	4096 x 3 pixels	150 kHz x 3	10 x 10 μm	RGB
ML-FC-08k10T-00-R	8192 x 3 pixels	93 kHz x 3	5 x 5 μm	RGB
ML-FC-16k02T-00-R	16384 x 3 pixels	25 kHz x 3	5 x 5 μm	RGB
ML-FC-16k04T-00-R	16384 x 3 pixels	47 kHz x 3	5 x 5 μm	RGB
ML-HC-16k10T-00-R	16384 x 3 pixels	100 kHz x 3	5 x 5 μm	RGB

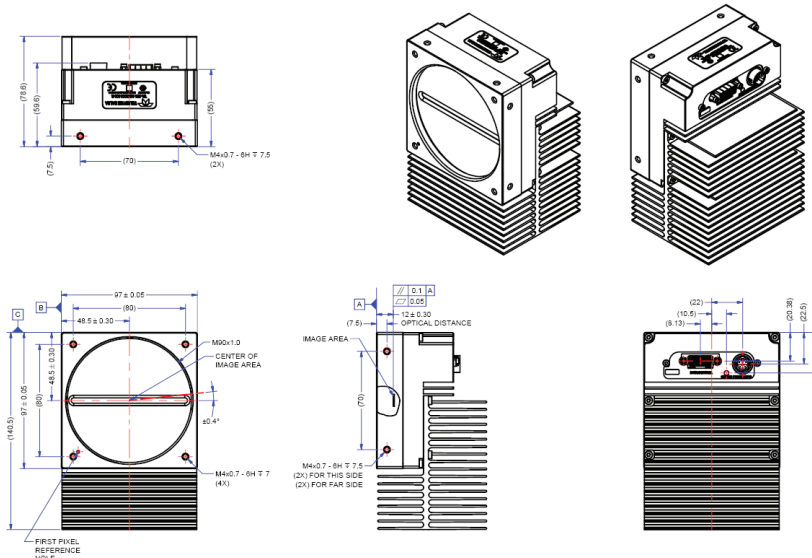


**4k, 8k Model**



NOTES:  
1. UNITS: MILLIMETERS.  
2. IMAGE AREA IS ALIGNED TO DATUMS A, B & C.

**16k Model**



NOTES:  
1. UNITS: MILLIMETERS.  
2. IMAGE AREA IS ALIGNED TO DATUMS A, B & C.



**Pyramid Imaging**

945 East 11th Avenue Tampa, FL 33605  
sales@pyramidimaging.com  
www.pyramidimaging.com  
813-786-3785

1

**Europe**  
Krailing, Germany  
+49 89-89-54-57-3-80  
sales.europe@teledynedalsa.com

**Asia Pacific**  
Tokyo, Japan  
+81 3-5960-6353  
sales.asia@teledynedalsa.com

Shanghai, China  
+86 21-3368-0027  
sales.asia@teledynedalsa.com