



White Paper



945 East 11<sup>th</sup> Avenue Tampa, FL 33605

Phone: (813) 984-0125

Contact: Sales@ pyramidimaging.com

<https://pyramidimaging.com>

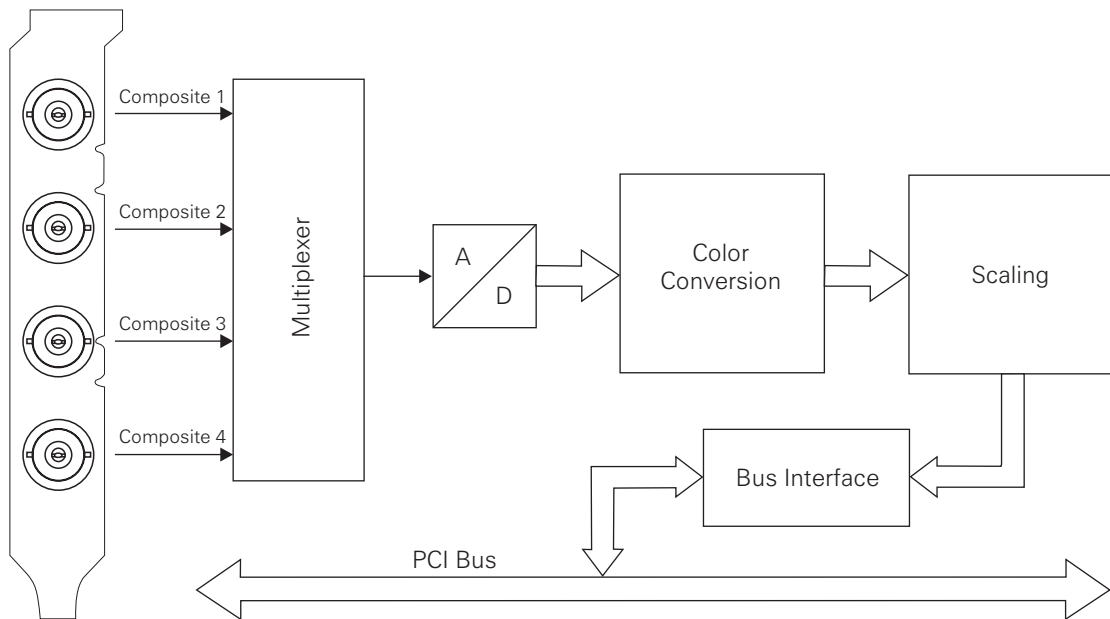
## Converter and Frame Grabber - Schematic Diagrams

# Content

DFG/LC4.....	3
DFG/MC4.....	4
DFG/SV1 & DFG/SV1/LP .....	5
DFG/SV1/PCIe & DFG/SV1/LP/PCIe .....	6
DFG/USB2pro.....	7

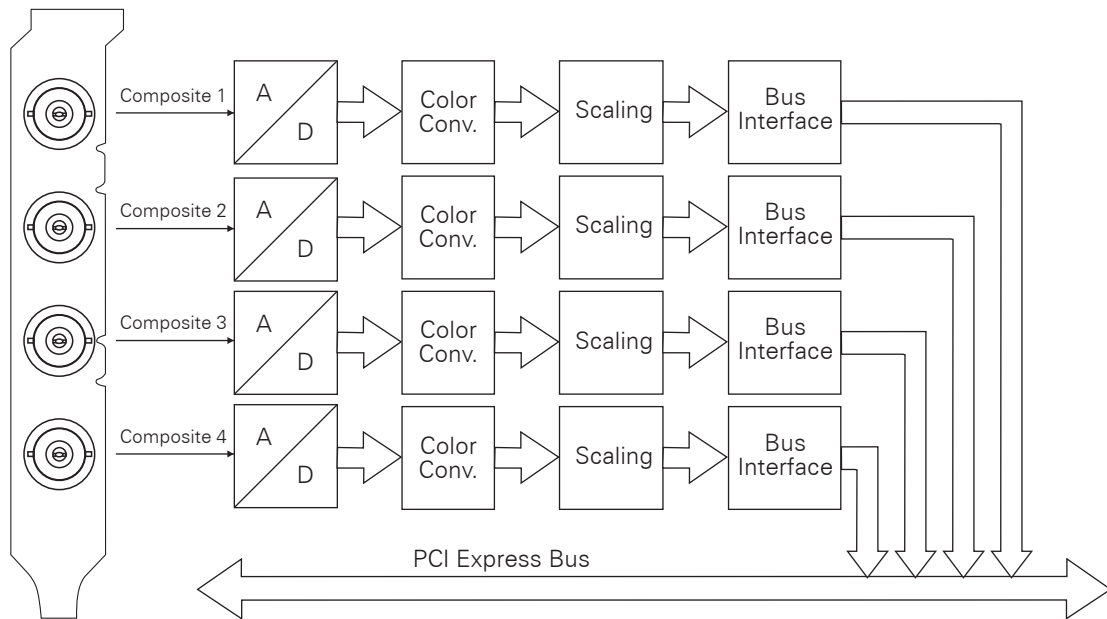


# DFG/LC4 Schematic diagram





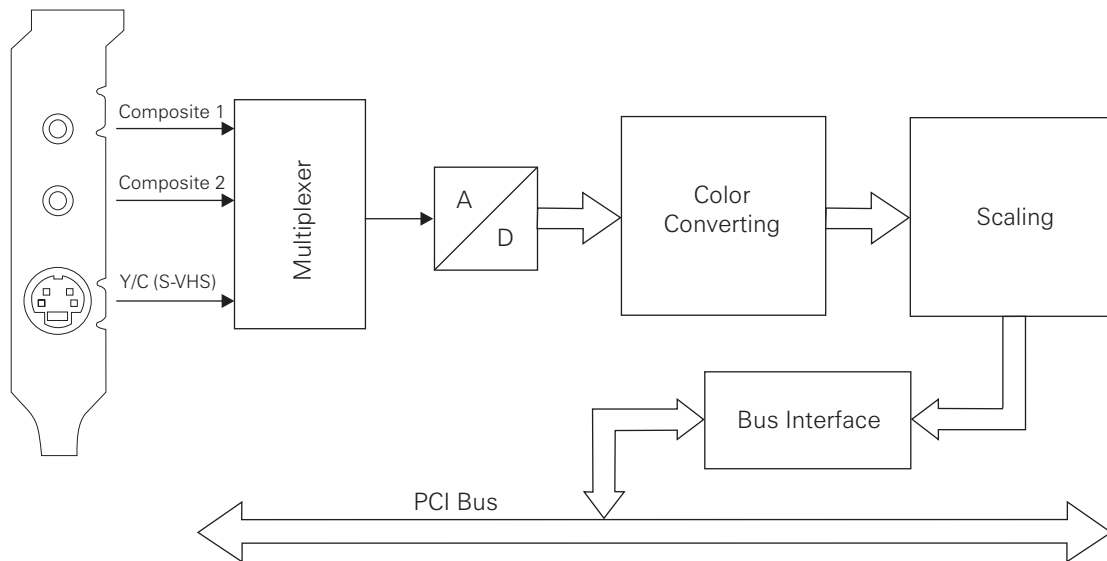
# DFG/MC4 /PCIe Schematic diagram





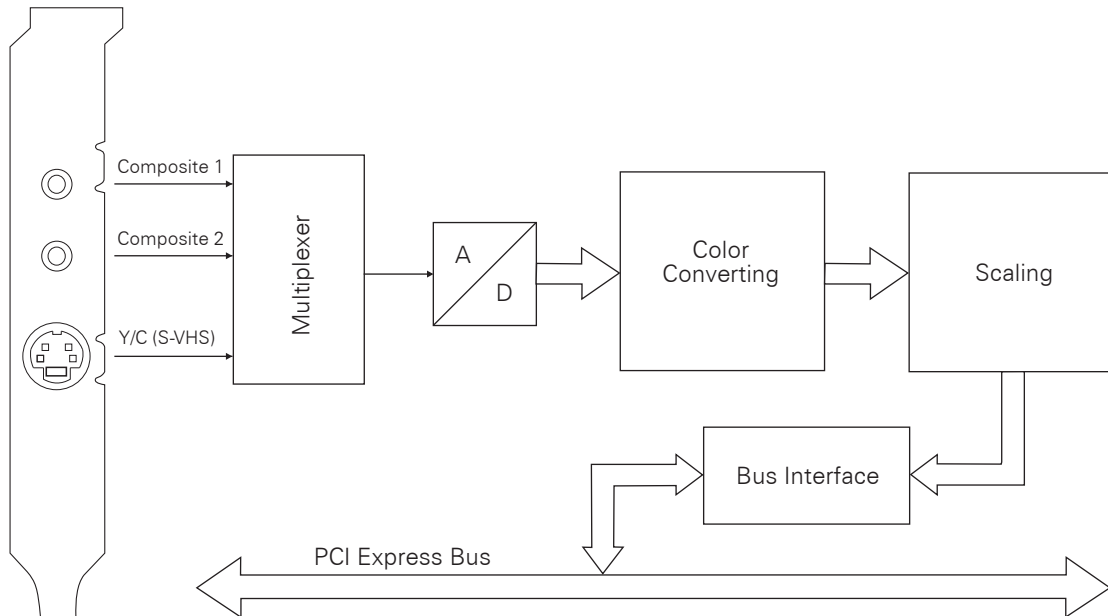
# DFG/SV1 & DFG/SV1/LP

## Schematic diagram





# DFG/SV1/PCle & DFG/SV1/LP/PCle Schematic diagram





# DFG/USB2pro Schematic diagram

