

# VC-12MX-M/C 330 F

The Fastest Speed & High Resolution CMOS Digital Camera  
with CoaXPress Interface



**CoaXPress**<sup>®</sup>

**Pyramid Imaging** 

The VC-12MX-330 F camera, the latest member of the industry proven VC series, is based on the latest CMOS global shutter imager. Equipped with the Viewworks' innovative technologies proved by the world's top FPD manufacturers, this camera offers not only the highest frame rate but also highly uniformed images. This camera supports 12 megapixel resolutions with frame rate up to 335 fps (CoaXPress - 8 Channels). Its CoaXPress interface supports transmitting image data at up to 25 Gbps using four coaxial cables and up to 50 Gbps using eight cables.

Featured with high quality image uniformity and high resolution, this camera is ideal for wide range of demanding applications including FPD, PCB and semiconductor inspections.

**VIEWWORKS**

[www.viewworks.com](http://www.viewworks.com)

# VC-12MX-M/C 330 F

The Fastest Speed & High Resolution CMOS Digital Camera with CoaXPress Interface

## Main Features

- 12 Megapixels Resolution
- High-Speed Progressive Scan CMOS Imager
- Global Shutter CMOS Technology
- CoaXPress Interface up to 335 fps at 50 Gbps using 8 CH
- Flat Field Correction
- Low Noise with Optimized Heat Treatment

## Applications

- FPD and Electronics Inspection
- Semiconductor Inspection
- Research and Scientific Imaging
- Document / Film Scanning

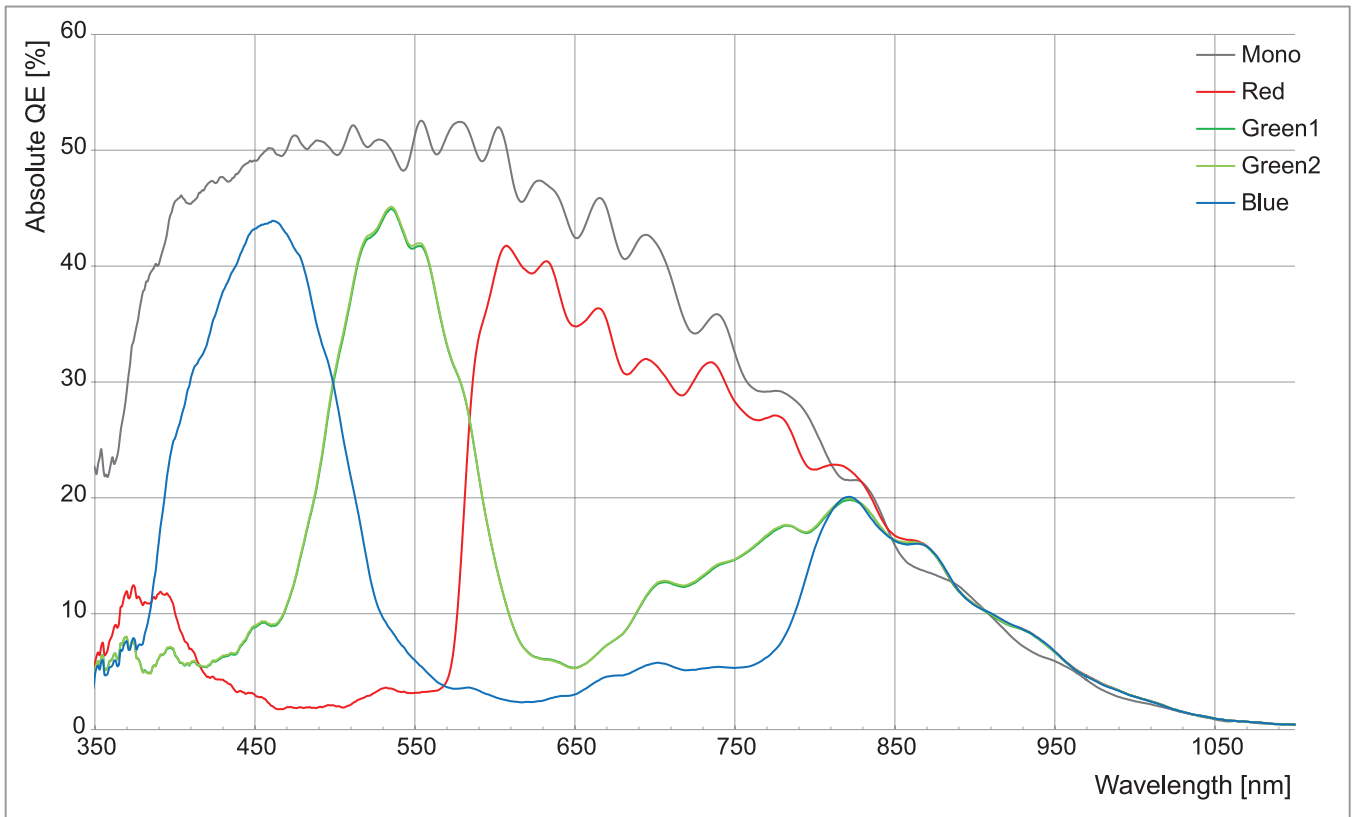
## Specifications

Model	VC-12MX-M/C 330 F	
Resolution (H × V)	4096 × 3072	
Sensor	CMOSIS CMV 12000	
Sensor Size	22.5 mm × 16.9 mm (Diagonal: 28.1 mm)	
Sensor Type	High Speed CMOS Image Sensor	
Pixel Size	5.5 μm × 5.5 μm	
Interface	CoaXPress	
Max. Frame Rate	4 CH: 188 fps @ 6.25 Gbps	
	8 CH: 335 fps @ 6.25 Gbps	
Exposure Time (1 μs step)	16 μs – 60 s	
Partial Scan (Max. Speed)	27777 fps at 4 Lines	
Pixel Data Format	8 bit	
Electronic Shutter	Global Shutter	
Gain Control	×1 ~ ×4 (0 ~ 12 dB)	
Black Level Control	0 – 16 LSB at 8 bit	
Trigger Synchronization	Free-Run, Timed, Trigger Width	
Dynamic Range	54 dB	
Dimension / Weight	90 mm × 90 mm × 114 mm, 745 g (F-mount)	
Temperature	Operating: 0°C ~ 40°C (Housing: 10°C ~ 50°C), Storage: -40°C ~ 70°C	
Lens Mount	F-mount	
Power	External	8 ~ 30 V DC, Typ. 18 W
	PoCXP	24 V DC, Minimum of four PoCXP cables required
Compliance	CE, FCC, KC	
API SDK	Vieworks Imaging Solution 7.X	

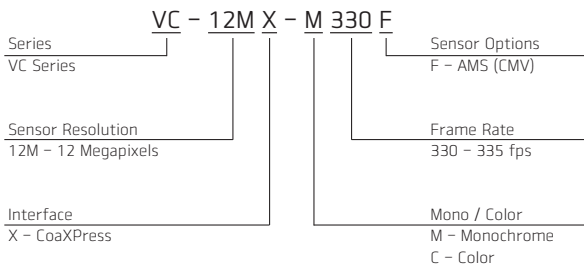
# VC-12MX-M/C 330 F

The Fastest Speed & High Resolution CMOS Digital Camera with CoaXPress Interface

## Spectral Response



## Ordering Scheme



## Connector Specification

### Power



1, 2, 3: +12V DC  
4, 5, 6: GND  
(HR10A-7R-6PB)

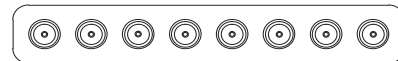
### Control



1: Trigger IN+    2: Trigger IN-  
3: DC Ground    4: Strobe OUT+  
(HR10A-7R-4S)

### Data Transfer/Communications

DIN



CH1 CH2 CH3 CH4 CH5 CH6 CH7 CH8

CH1: Master Connection (75 Ω, DIN 1.0/2.3)

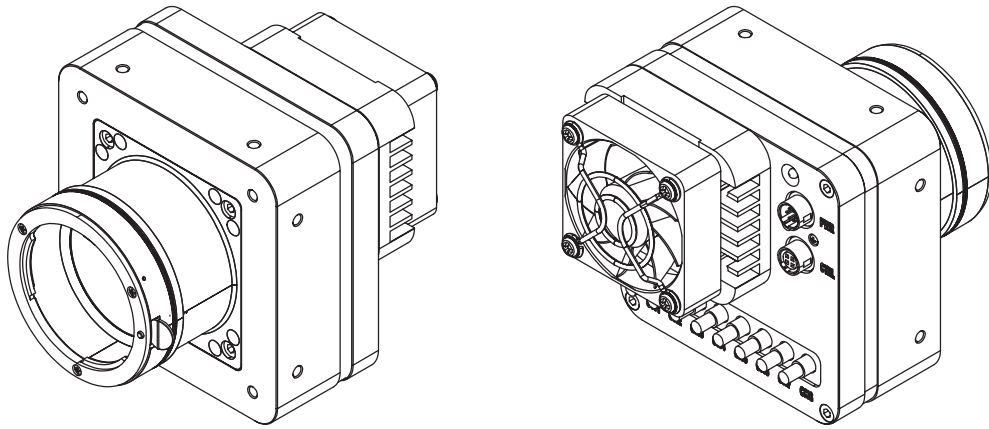
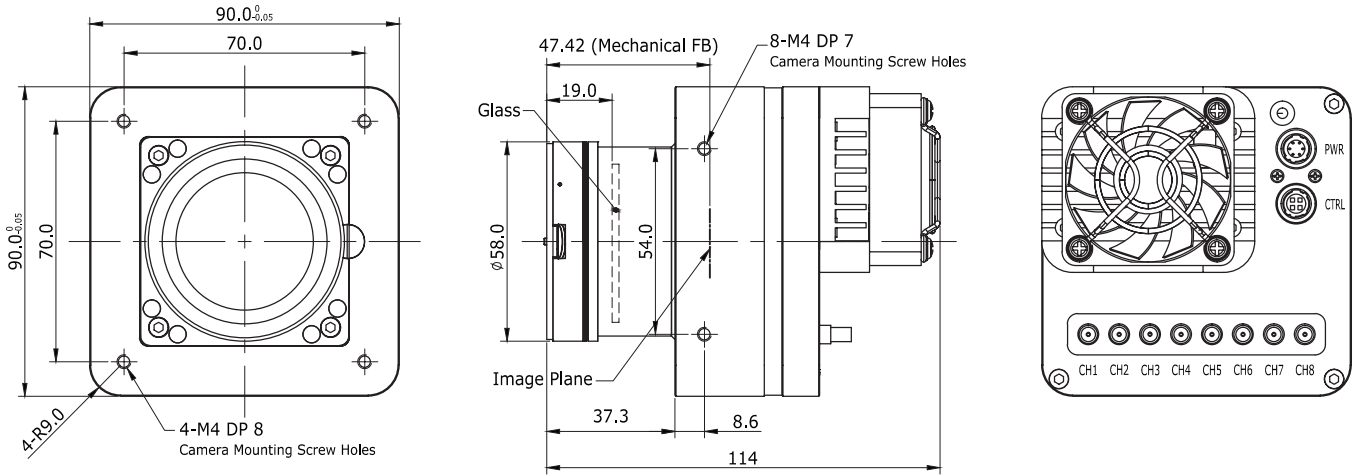
Connectors on camera body

# VC-12MX-M/C 330 F

The Fastest Speed & High Resolution CMOS Digital Camera with CoaXPress Interface

## Mechanical Dimensions

Unit: mm



945 East 11<sup>th</sup> Avenue Tampa, FL 33605

Phone: (813) 984-0125

Contact: Sales@ pyramidimaging.com

<https://pyramidimaging.com>