

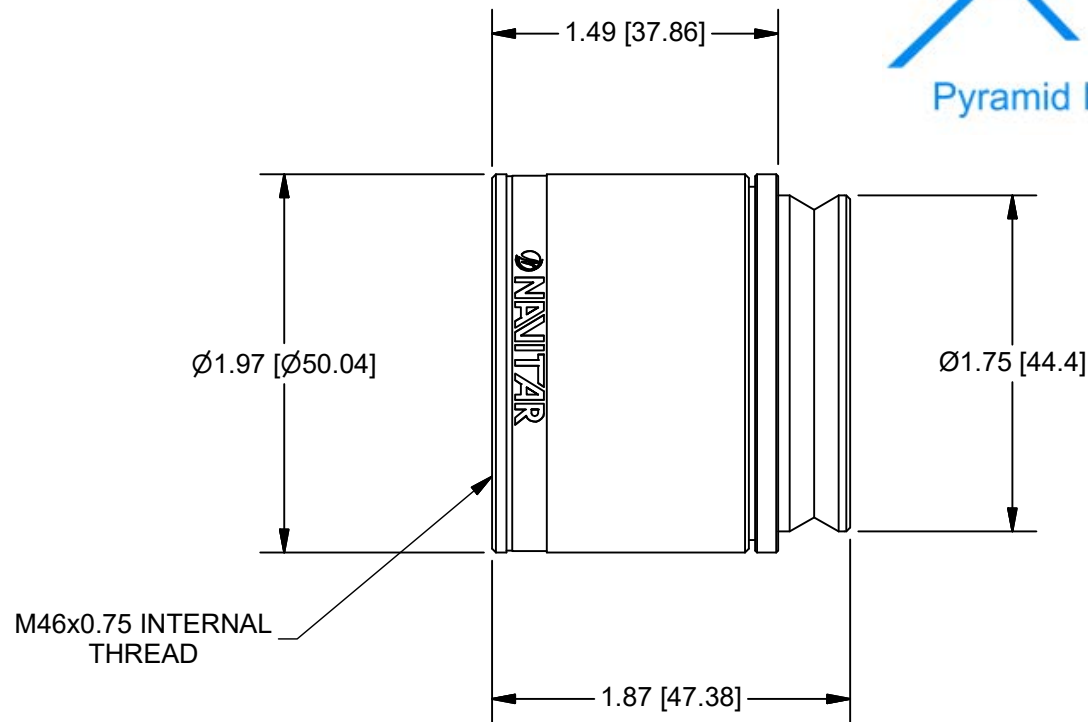


945 East 11<sup>th</sup> Avenue Tampa, FL 33605

Phone: (813) 984-0125

Contact: Sales@ pyramidimaging.com

<https://pyramidimaging.com>



# OUTLINE

## 0.75X LENS ATTACHMENT FOR RESOLV4K

FOCAL: 133.33mm  
 WORKING DISTANCE: 110mm  
 OBJECT COVERAGE: 33.33mm - 4.74mm (LOW - HIGH MAG)  
 DISTORTION: 0.1% - -0.5%  
 OBJ NA: 0.025 - .071  
 WAVELENGTH: VIS: 430 - 670nm  
                   VNIR: 430 - 1000nm  
                   SWIR: 900 - 1700nm  
 TRANSMISSION: 94.1% (445-655nm VIS)  
                   94.2% (445-950nm VNIR)

UNLESS OTHERWISE SPECIFIED DIMENSIONS ARE IN INCHES AND INCLUDE CHEMICALLY APPLIED OR PLATED FINISHES		PROPRIETARY AND CONFIDENTIAL		
		THE INFORMATION CONTAINED IN THIS DRAWING IS THE SOLE PROPERTY OF NAVITAR. ANY REPRODUCTION IN PART OR AS A WHOLE WITHOUT THE WRITTEN PERMISSION OF NAVITAR IS PROHIBITED.		
SCALE:	1:1			
WEIGHT:	0.43 lbmass			
DR BY:	C. Byler			
CH BY:	DEROSA			
PROJECT #:	E3528			
DATE DR:	7/28/2017	LENS, 0.75X LENS ATTACHMENT		
DO NOT SCALE DRAWING				
	SHEET 2 OF 2	SIZE	PART NUMBER	REV
		A	1-81203	A