

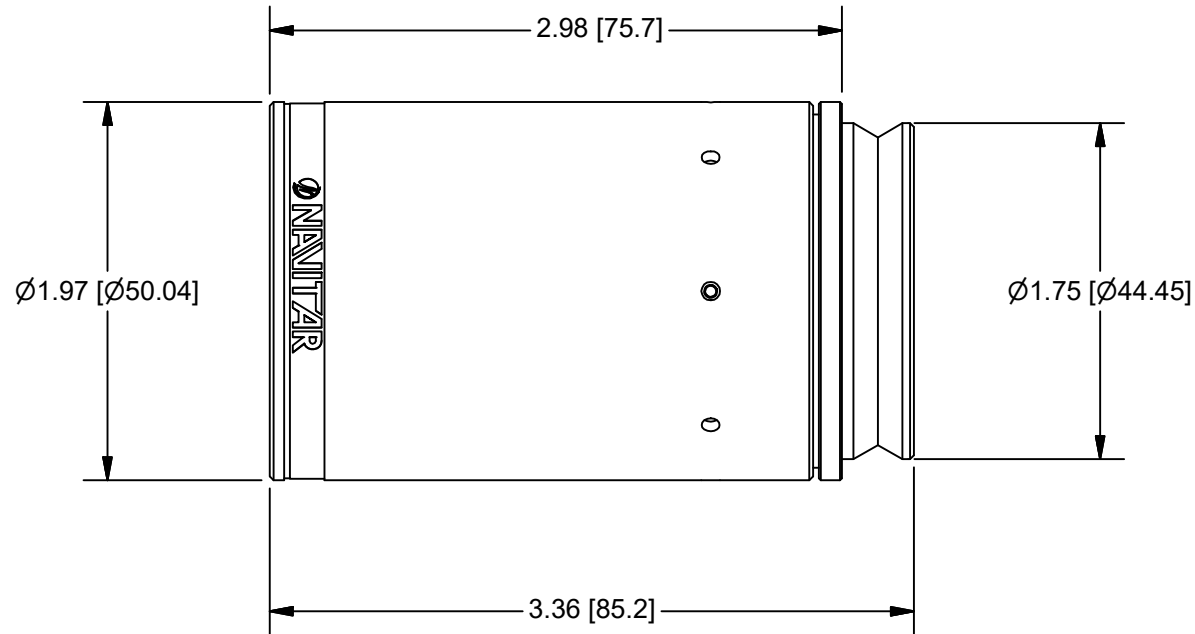


945 East 11<sup>th</sup> Avenue Tampa, FL 33605

Phone: (813) 984-0125

Contact: Sales@ pyramidimaging.com

https://pyramidimaging.com



## OUTLINE

FOCAL: 50.0mm  
 WORKING DISTANCE: 32.3mm  
 OBJECT COVERAGE: 12.5mm - 1.78mm (LOW - HIGH MAG)  
 DISTORTION: -0.3% - -0.5%  
 OBJ NA: .066-.19  
 WAVELENGTH: VIS: 430 - 670nm  
                   VNIR: 430 - 1000nm  
                   SWIR: 900 - 1700nm  
 TRANSMISSION: 89.8% (445-655nm VIS)  
                   87.1% (445-950nm VNIR)

UNLESS OTHERWISE SPECIFIED DIMENSIONS ARE IN INCHES AND INCLUDE CHEMICALLY APPLIED OR PLATED FINISHES		PROPRIETARY AND CONFIDENTIAL		
		THE INFORMATION CONTAINED IN THIS DRAWING IS THE SOLE PROPERTY OF NAVITAR. ANY REPRODUCTION IN PART OR AS A WHOLE WITHOUT THE WRITTEN PERMISSION OF NAVITAR IS PROHIBITED.		
SCALE:	1:1			
WEIGHT:	0.89 lbmass			
DR BY:	DEROSA			
CH BY:	J. WILLIAMSON			
PROJECT #:	E3515			
DATE DR:	11/8/2017	LENS, 2.0X LENS ATTACHMENT		
DO NOT SCALE DRAWING				
	SHEET 2 OF 2	SIZE	PART NUMBER	REV
		A	SK-1-81207	1