

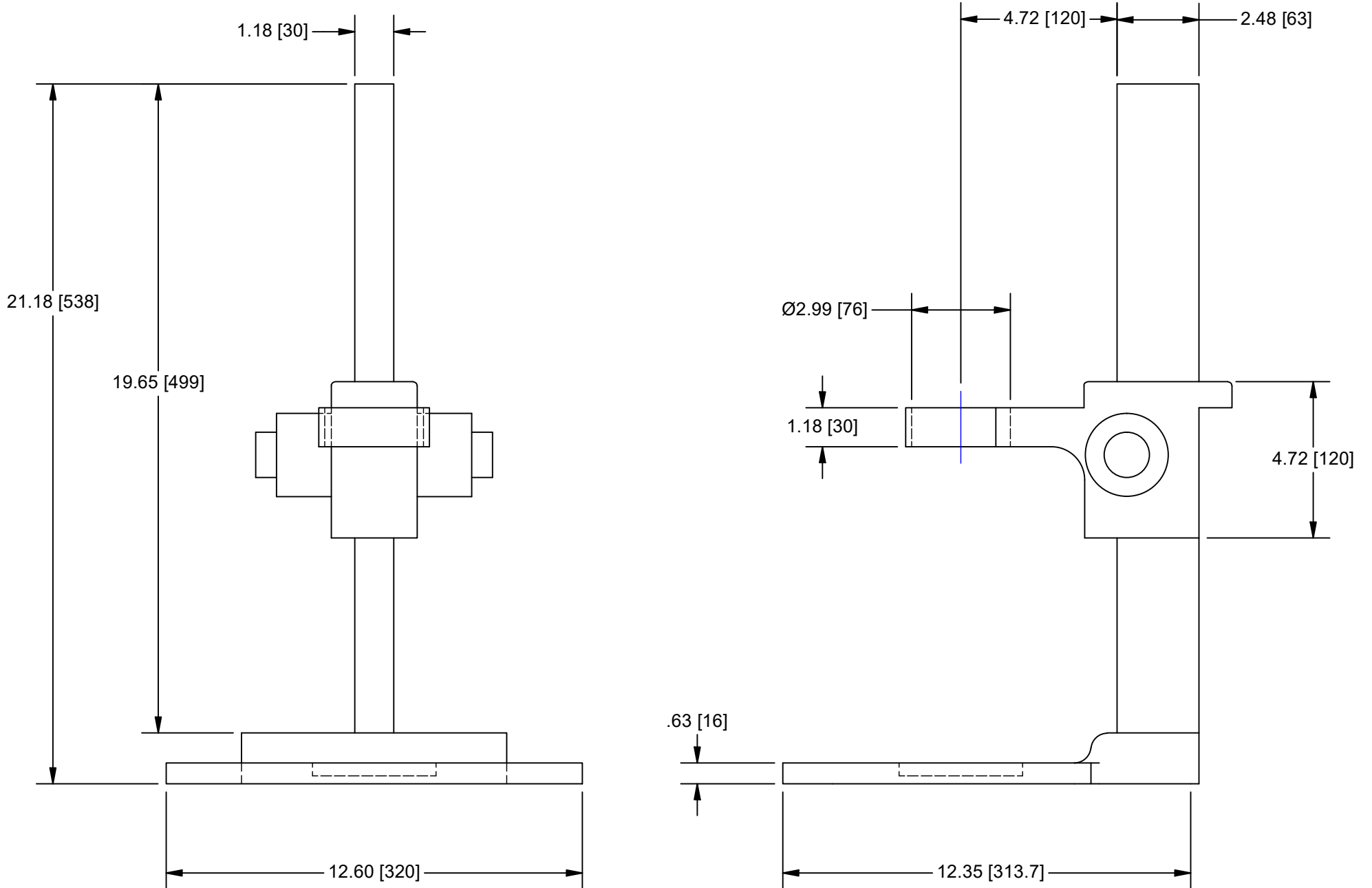
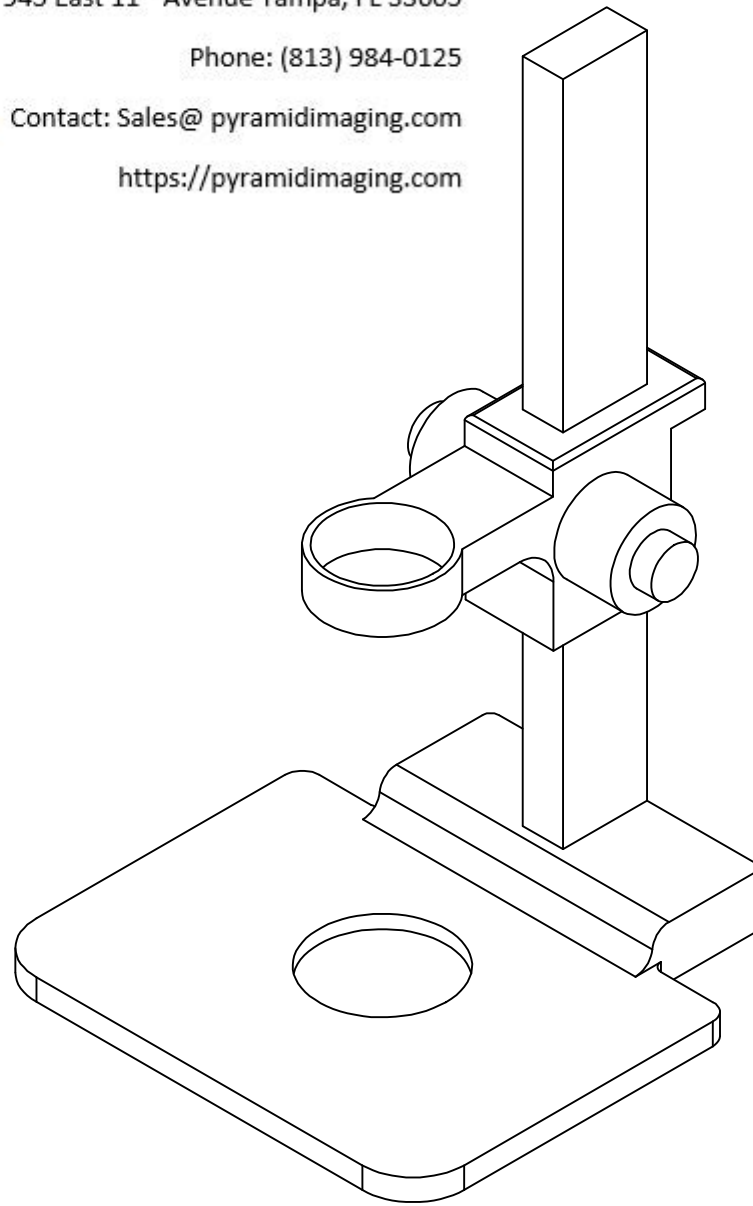


945 East 11th Avenue Tampa, FL 33605

Phone: (813) 984-0125

Contact: Sales@pyramidimaging.com

https://pyramidimaging.com



NOTE:
ALL DIMENSIONS ARE APPROXIMATE
AND NOT INTENDED TO BE USED
FOR MANUFACTURE

OUTLINE

UNLESS OTHERWISE SPECIFIED DIMENSIONS ARE IN INCHES [MM] AND INCLUDE CHEMICALLY APPLIED OR PLATED FINISHES		PROPRIETARY AND CONFIDENTIAL				
SCALE: 1:4		THE INFORMATION CONTAINED IN THIS DRAWING IS THE SOLE PROPERTY OF NAVITAR. ANY REPRODUCTION IN PART OR AS A WHOLE WITHOUT THE WRITTEN PERMISSION OF NAVITAR IS PROHIBITED.				
WEIGHT:	8.27 lbmass	0.0 inch 1.0		STAND, 76mm HOLDER, FINE FOCUS, HIGH TRACK		
DR BY:	C. HATCH	0.0 mm 25.0				
CH BY:	DEROSA	DO NOT SCALE DRAWING				
PROJECT #:	E3592			SIZE	PART NUMBER	REV
DATE DR:	4/24/2018			B	8-28256	