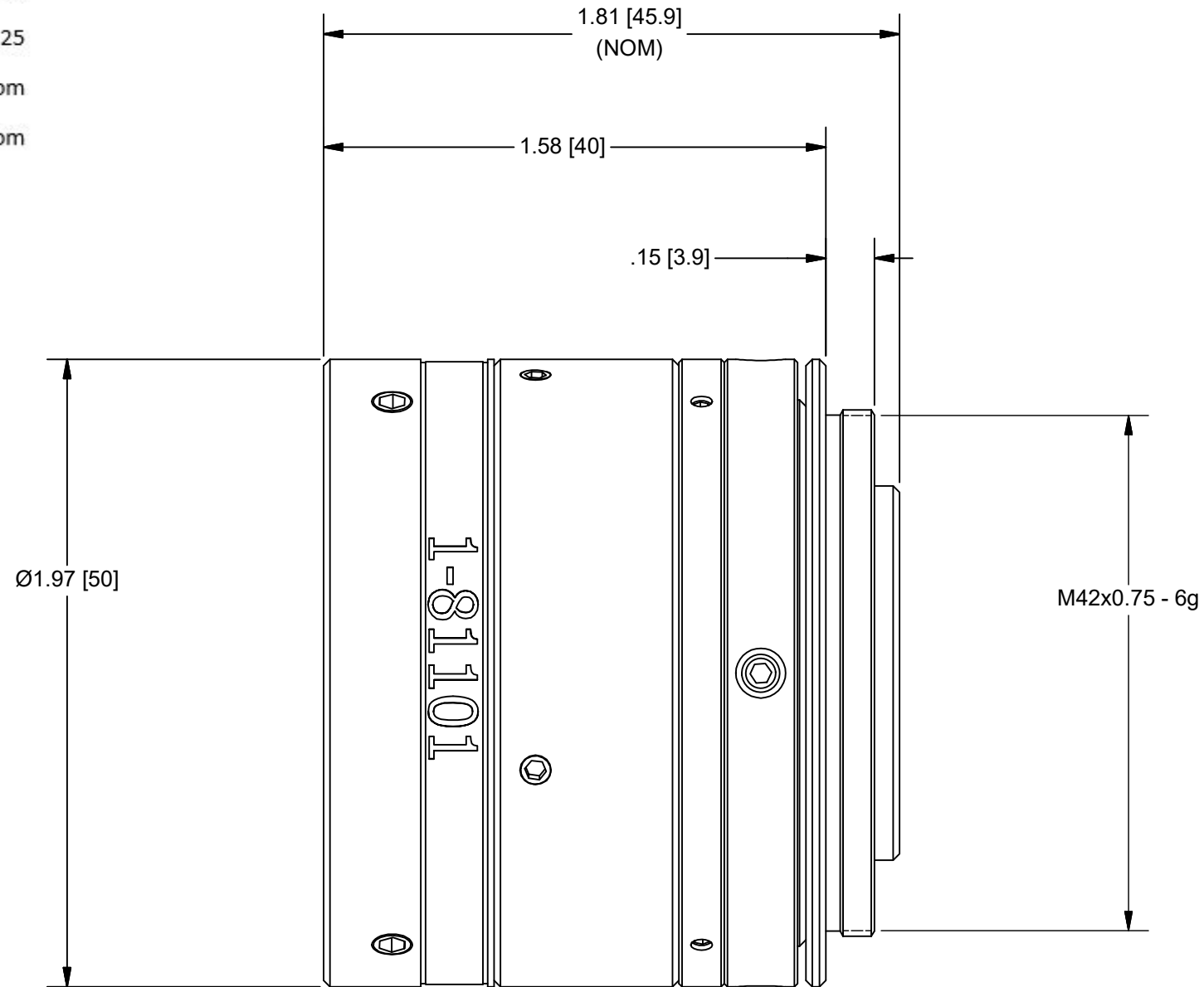




945 East 11th Avenue Tampa, FL 33605
 Phone: (813) 984-0125
 Contact: Sales@ pyramidimaging.com
<https://pyramidimaging.com>



0.6875X (2/3") REAR ADAPTER FOR RESOLV4K

FOCAL: 110.0mm
 SENSOR COVERAGE: 11mm (2/3" FORMAT)
 DISTORTION: 0.13%
 IMG NA: 0.0748
 WAVELENGTH: 430 - 670nm VIS
 430-1000nm VNIR
 900 - 1700nm SWIR
 TRANSMISSION: 91.7% (445-655nm VIS)
 91.5% (445-950nm VNIR)

UNLESS OTHERWISE SPECIFIED
 DIMENSIONS ARE IN INCHES [MM]
 AND INCLUDE CHEMICALLY
 APPLIED OR PLATED FINISHES

PROPRIETARY AND CONFIDENTIAL

THE INFORMATION CONTAINED IN THIS
 DRAWING IS THE SOLE PROPERTY OF
 NAVITAR. ANY REPRODUCTION IN PART
 OR AS A WHOLE WITHOUT THE WRITTEN
 PERMISSION OF NAVITAR IS PROHIBITED.

SCALE: 2:1

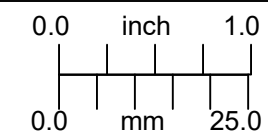
WEIGHT: 0.40 lbmass

DR BY: J. WILLIAMSON

CH BY: PB

PROJECT #: E3360

DATE DR: 9/16/2016



DO NOT SCALE DRAWING



OUTLINE



0.6875X, (2/3") REAR ADAPTER

SIZE	PART NUMBER	REV
B	1-81101	A