
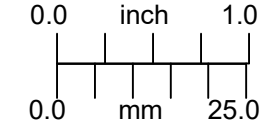
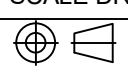


945 East 11th Avenue Tampa, FL 33605
 Phone: (813) 984-0125
 Contact: Sales@pyramidimaging.com
<https://pyramidimaging.com>

OUTLINE

UNLESS OTHERWISE SPECIFIED DIMENSIONS ARE IN INCHES [MM] AND INCLUDE CHEMICALLY APPLIED OR PLATED FINISHES		PROPRIETARY AND CONFIDENTIAL THE INFORMATION CONTAINED IN THIS DRAWING IS THE SOLE PROPERTY OF NAVITAR. ANY REPRODUCTION IN PART OR AS A WHOLE WITHOUT THE WRITTEN PERMISSION OF NAVITAR IS PROHIBITED.			
SCALE:	1.5:1			ZOOM, MTR, 7X AFOCAL, 2Φ	
WEIGHT:	1.81 lbmass			PART NUMBER	
DR BY:	Bonafede			1-80200	
CH BY:	J. WILLIAMSON	DO NOT SCALE DRAWING		SIZE	REV
PROJECT #:	E3496			C	A
DATE DR:	11/10/2016			PART NUMBER	
				1-80200	