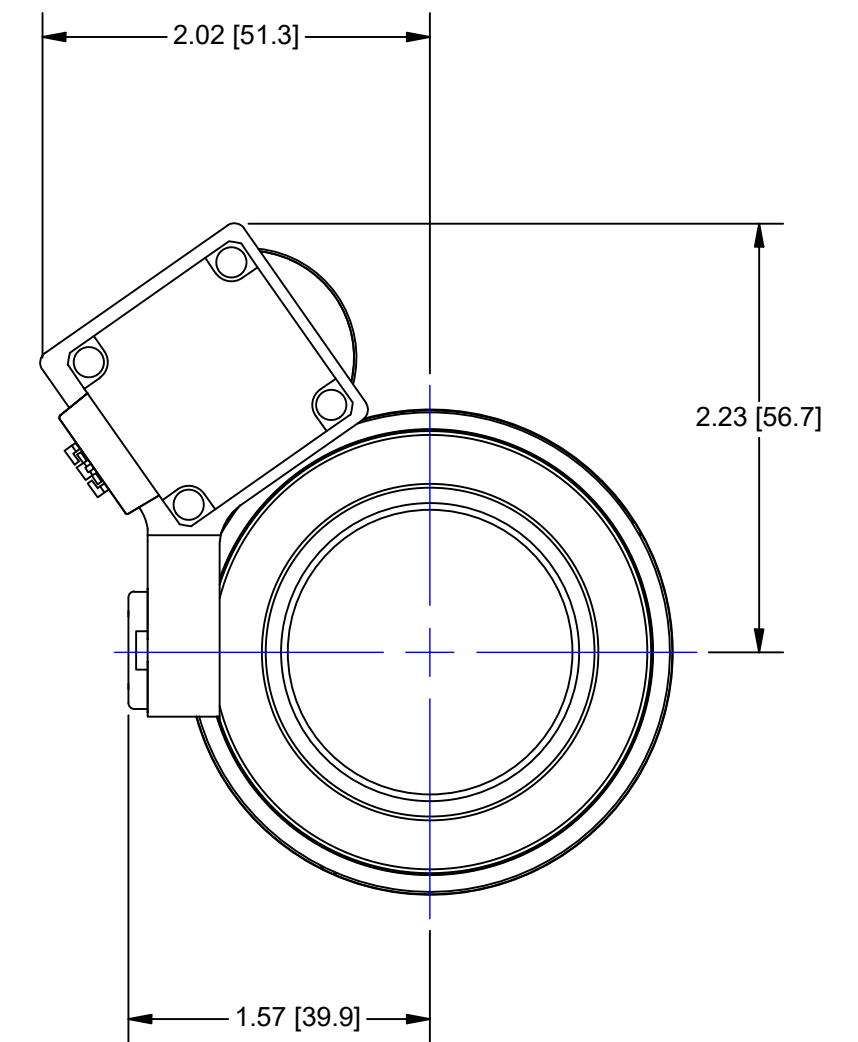
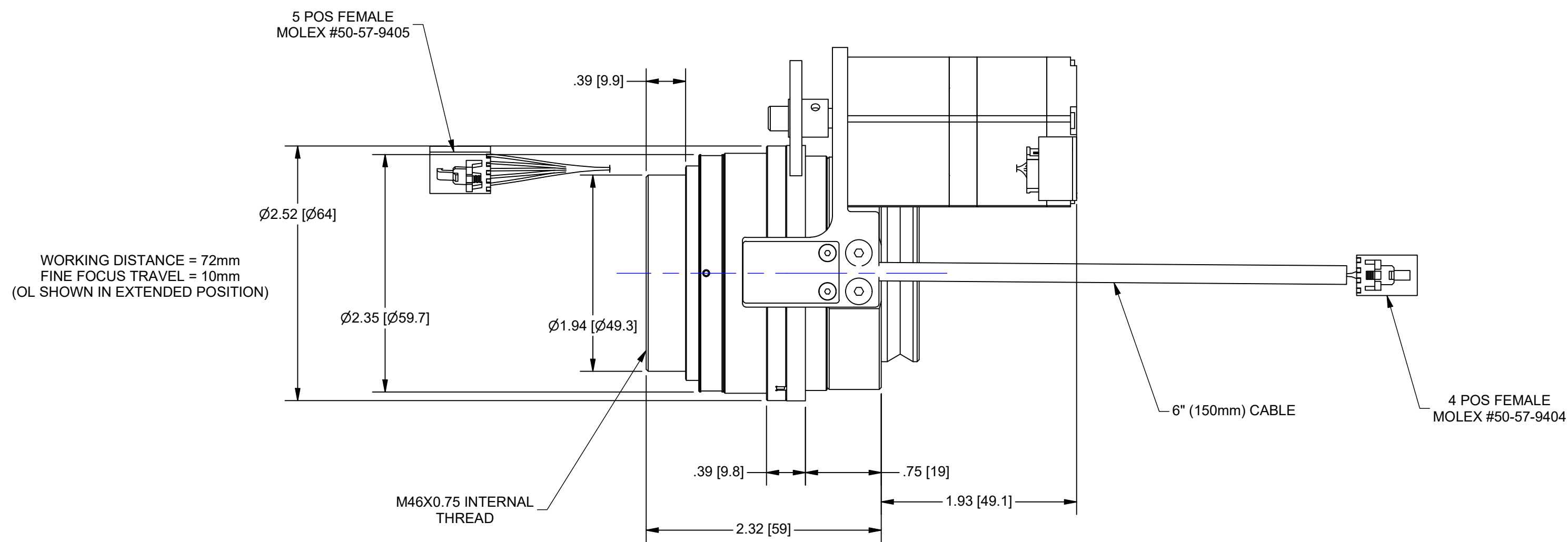


SCALE 1:1



**5φ MOTOR AND HALL EFFECT CABLE INFORMATION:**

- FOCUS / HE CABLE LENGTH = 0.15m  
 - USE NAVITAR #1-40170 (1.8m), 1-40289 (1.2m), 1-40290 (0.6m) TO CONNECT TO NAVITAR 5φ PHASE CONTROLLERS (1-40167, 1-40168, 1-40169),

FF MOTOR  
 5 POSITION FEMALE  
 CONNECTOR  
 (MOLEX #50-57-9405)

HE SENSOR  
 4 POSITION FEMALE  
 CONNECTOR  
 (MOLEX #50-57-9404)

**5φ FF MOTOR PINOUT**  
 PIN 1 = MOTOR 1 (BLUE)  
 PIN 2 = MOTOR 2 (RED)  
 PIN 3 = MOTOR 3 (ORANGE)  
 PIN 4 = MOTOR 4 (GREEN)  
 PIN 5 = MOTOR 5 (BLACK)

**4 PIN HE SENSOR PINOUT**  
 PIN 1 = COMMON  
 PIN 2 = FAR LIMIT  
 PIN 3 = +5VDC  
 PIN 4 = NEAR LIMIT



945 East 11<sup>th</sup> Avenue Tampa, FL 33605  
 Phone: (813) 984-0125  
 Contact: Sales@pyramidimaging.com  
<https://pyramidimaging.com>

**OUTLINE**



MTR FF, 5φ, 1.25X LENS  
 ATTACHMENT

UNLESS OTHERWISE SPECIFIED DIMENSIONS ARE IN INCHES (MM) AND INCLUDE CHEMICALLY APPLIED OR PLATED FINISHES		PROPRIETARY AND CONFIDENTIAL THE INFORMATION CONTAINED IN THIS DRAWING IS THE SOLE PROPERTY OF NAVITAR. ANY REPRODUCTION IN PART OR AS A WHOLE WITHOUT THE WRITTEN PERMISSION OF NAVITAR IS PROHIBITED.		NAVITAR ROCHESTER, NEW YORK	
SCALE:	2:1	0.0 inch 1.0		PART NUMBER	
WEIGHT:	0.98 lbmass	0.0 mm 25.0		1-81205M5	
DR BY:	J. WILLIAMSON	DO NOT SCALE DRAWING		REV	
CH BY:	PB	C		A	
PROJECT #:	E3576	C		A	
DATE DR:	11/29/2017	C		A	