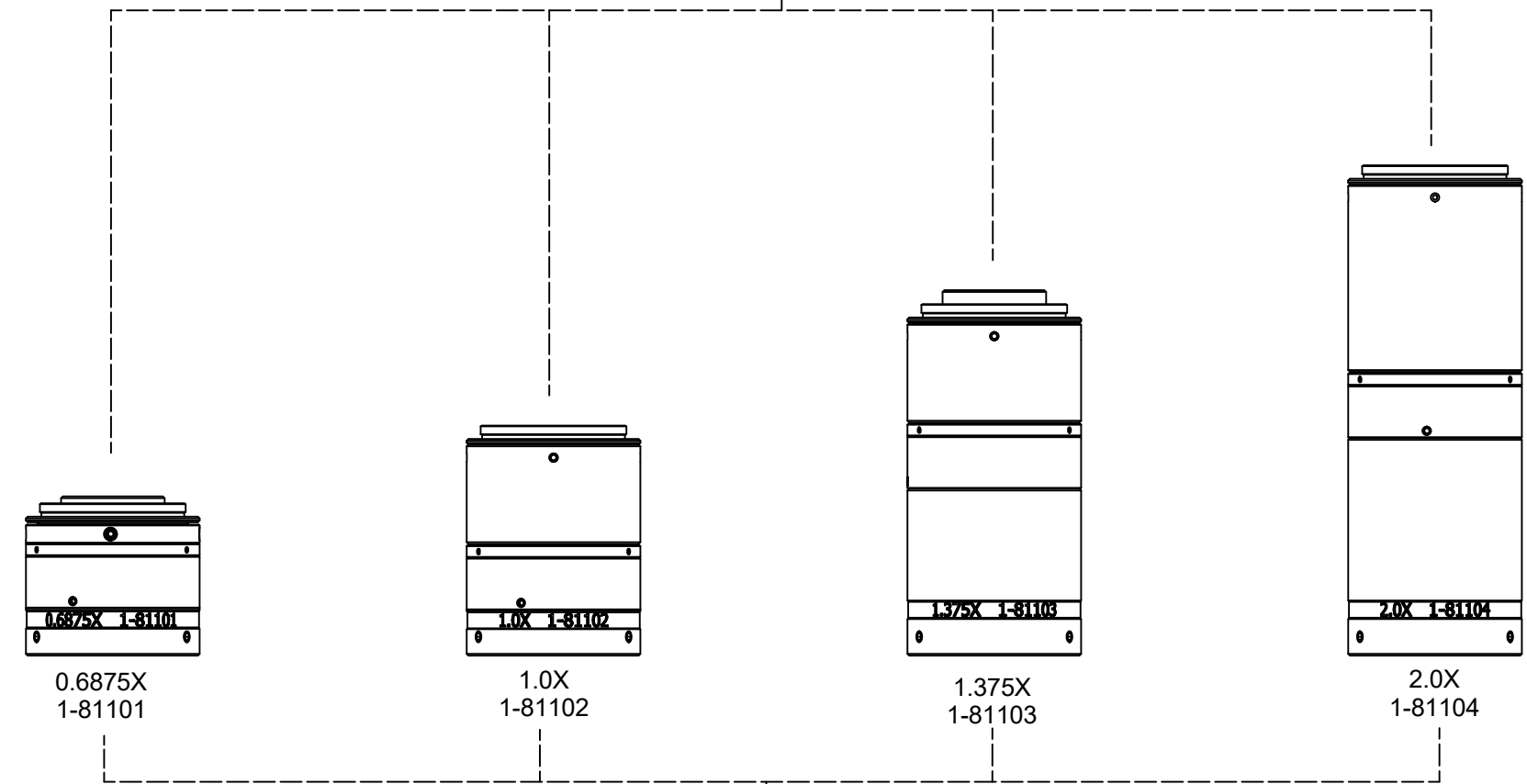
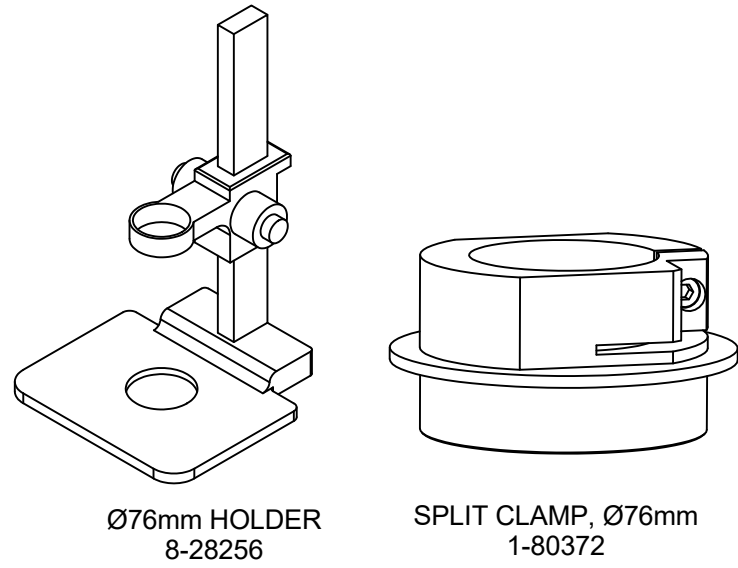


RESOLV4K SYSTEM DIAGRAM

CAMERA MOUNTS



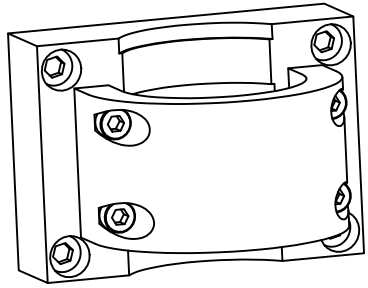
ADAPTERS



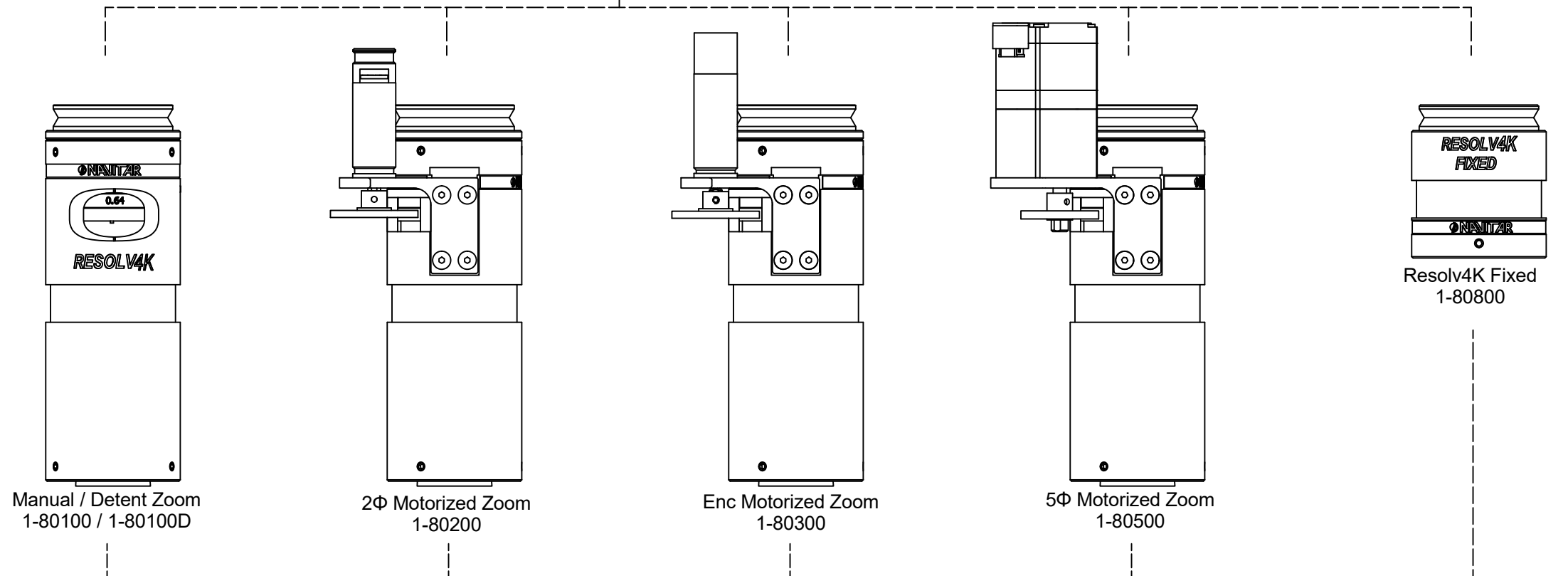
CORE ZOOMS & FIXED

Upper Interface Options:
 1-81302: 90° Fold
 1-81314: Adjustable Iris

FLAT MOUNT, SLIM, METRIC / INCH
 1-80270 / 1-80271



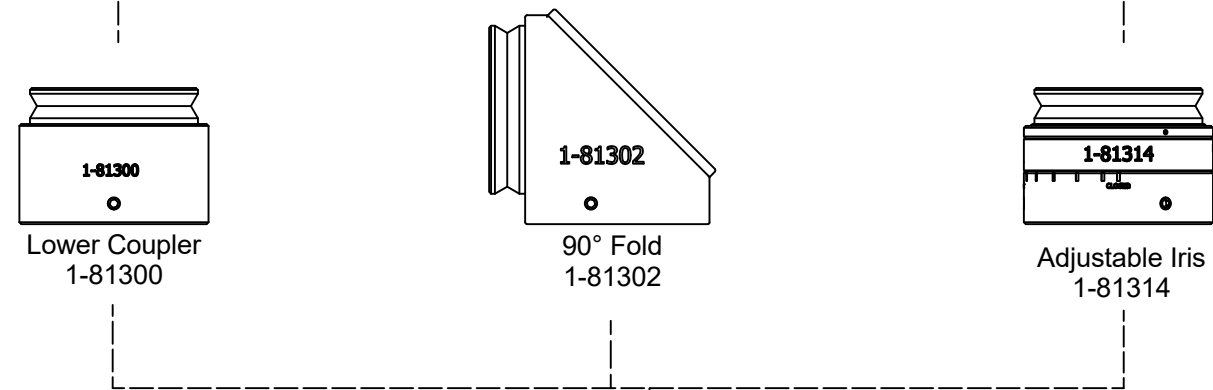
FLAT MOUNT, METRIC / INCH
 1-80370 / 1-80371



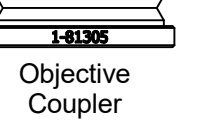
LOWER INTERFACES

ULTRA ZOOM

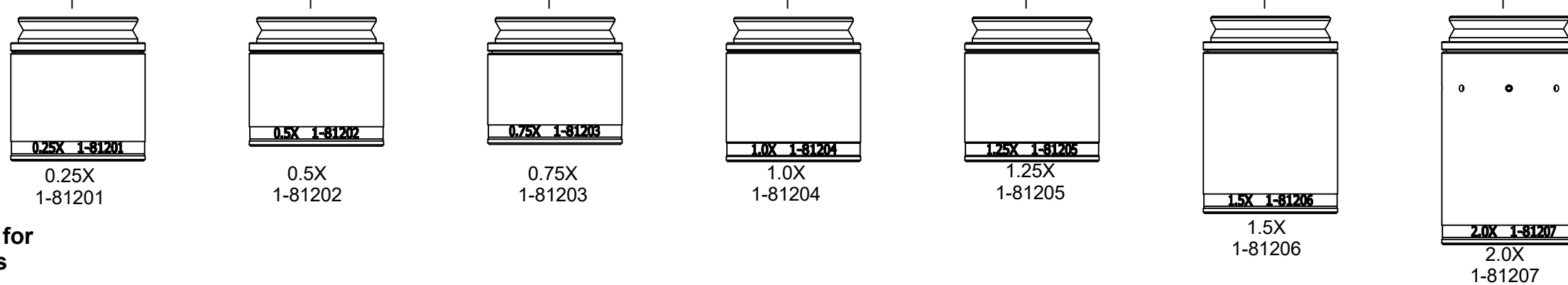
Lower Interface Lighting Options:
 1-81301: Coax Block
 1-81303: Rt. Angle Coax
 1-81402: Diffuse On Axis Illuminator
 See "Resolv4K Lower Interface" page



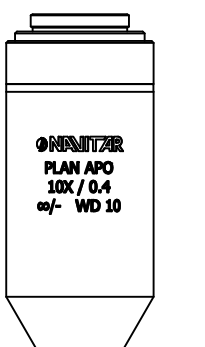
Objective Coupler Options
 1-81304: M25x0.75
 1-81305: M26x36T
 1-81306: 0.800-36



LENS ATTACHMENTS



Navitar HR
 Infinity Corrected Objectives



Fine Focus Options for Lens Attachments

- M1 Manual FF
 - M2 2Φ Motorized FF
 - M3 Encoded Motor FF
 - M5 5Φ Motorized FF
- e.g. 1-81204M2:
 2Φ Motorized 1X LA