

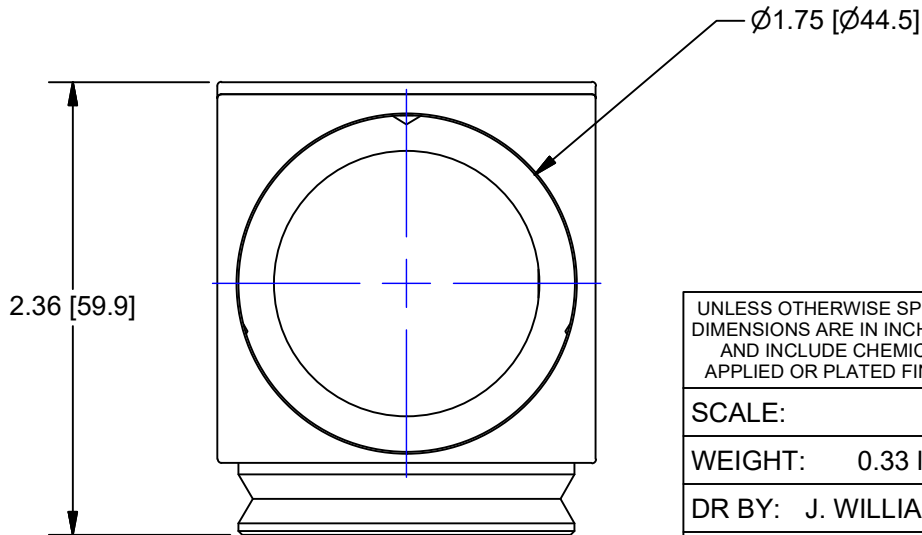
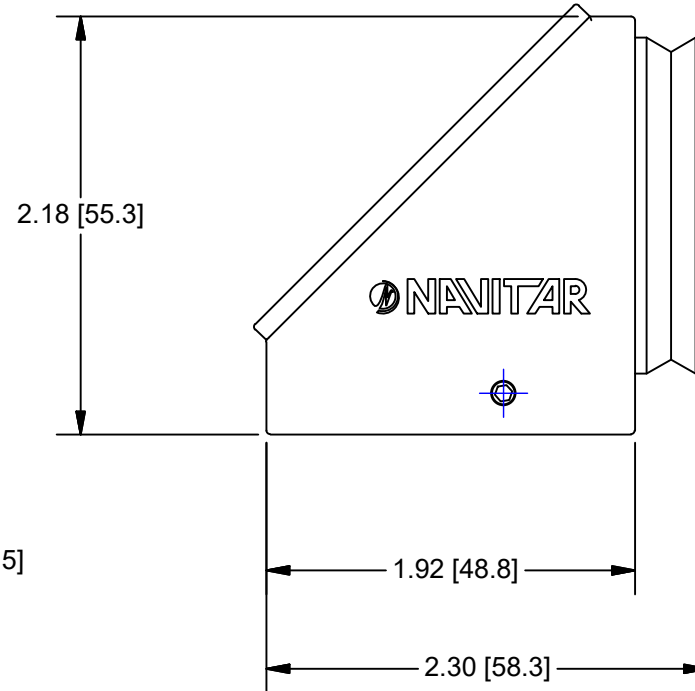
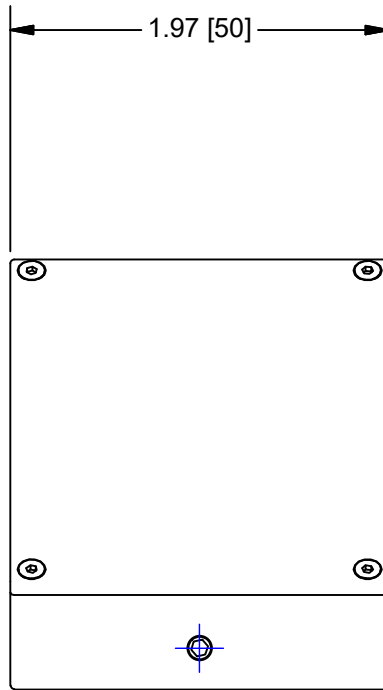


945 East 11<sup>th</sup> Avenue Tampa, FL 33605

Phone: (813) 984-0125

Contact: Sales@pyramidimaging.com

<https://pyramidimaging.com>



# OUTLINE

UNLESS OTHERWISE SPECIFIED  
DIMENSIONS ARE IN INCHES [MM]  
AND INCLUDE CHEMICALLY  
APPLIED OR PLATED FINISHES

SCALE: 1:1

WEIGHT: 0.33 lbmass

DR BY: J. WILLIAMSON

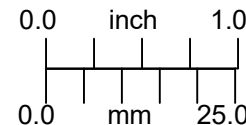
CH BY: DEROSA

PROJECT #: E3511

DATE DR: 5/12/2017

**PROPRIETARY AND CONFIDENTIAL**

THE INFORMATION CONTAINED IN THIS  
DRAWING IS THE SOLE PROPERTY OF  
NAVITAR. ANY REPRODUCTION IN PART  
OR AS A WHOLE WITHOUT THE WRITTEN  
PERMISSION OF NAVITAR IS PROHIBITED.



DO NOT SCALE DRAWING



FOLD, INTERFACE

SIZE	PART NUMBER	REV
<b>A</b>	<b>1-81302</b>	<b>A</b>