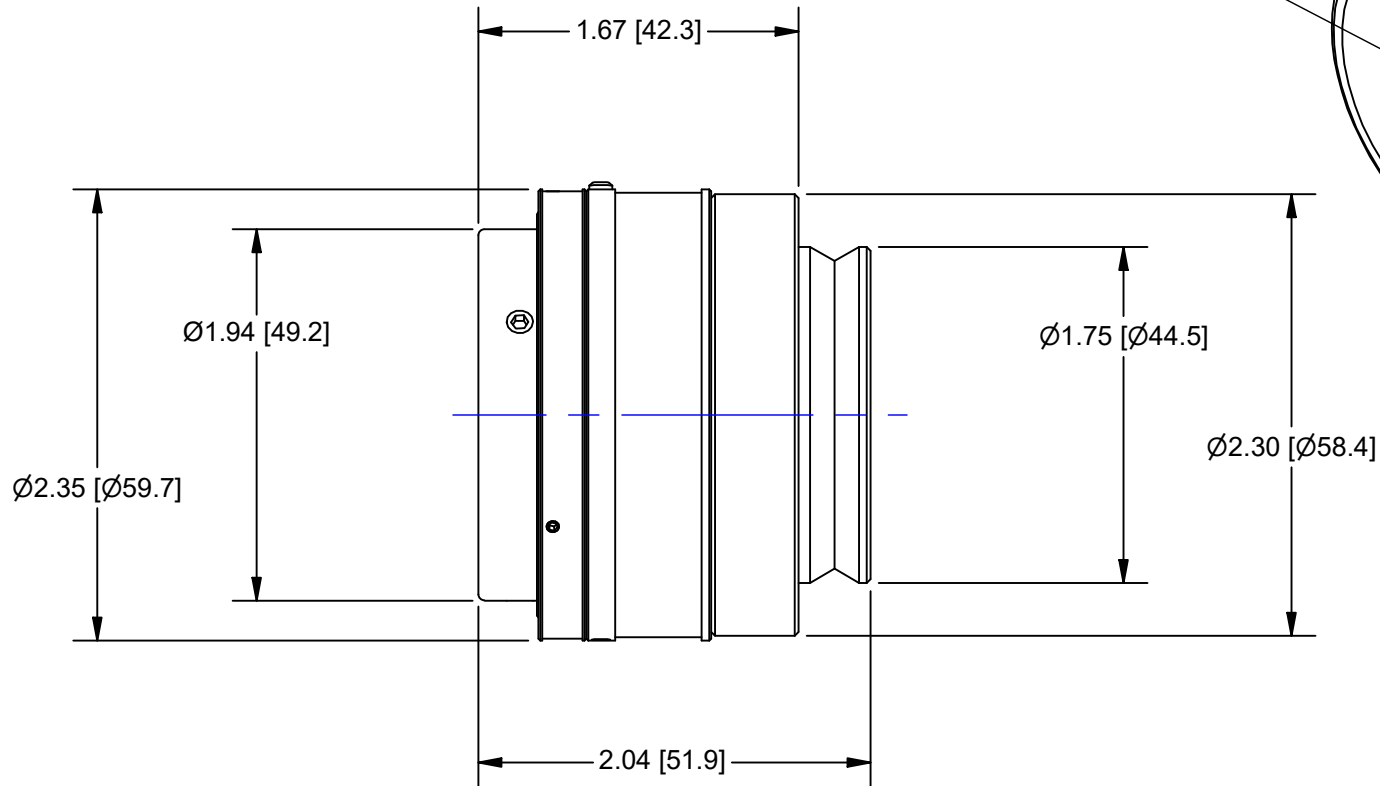


M37x0.75 - 6H
INTERNAL THREAD



OUTLINE



Pyramid Imaging

945 East 11th Avenue Tampa, FL 33605
 sales@pyramidimaging.com
 www.pyramidimaging.com
 813-786-3785

UNLESS OTHERWISE SPECIFIED
 DIMENSIONS ARE IN INCHES [MM]
 AND INCLUDE CHEMICALLY
 APPLIED OR PLATED FINISHES

SCALE: 1:1

WEIGHT: 0.28 lbmass

DR BY: BONAFEDE

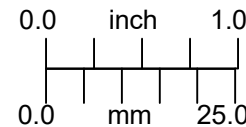
CH BY: DEROSA

PROJECT #: E3577

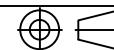
DATE DR: 11/20/2017

PROPRIETARY AND CONFIDENTIAL

THE INFORMATION CONTAINED IN THIS
 DRAWING IS THE SOLE PROPERTY OF
 NAVITAR. ANY REPRODUCTION IN PART
 OR AS A WHOLE WITHOUT THE WRITTEN
 PERMISSION OF NAVITAR IS PROHIBITED.



DO NOT SCALE DRAWING



MANUAL FOCUS MODULE, RESOLV

SIZE	PART NUMBER	REV
A	1-81300M1	A