

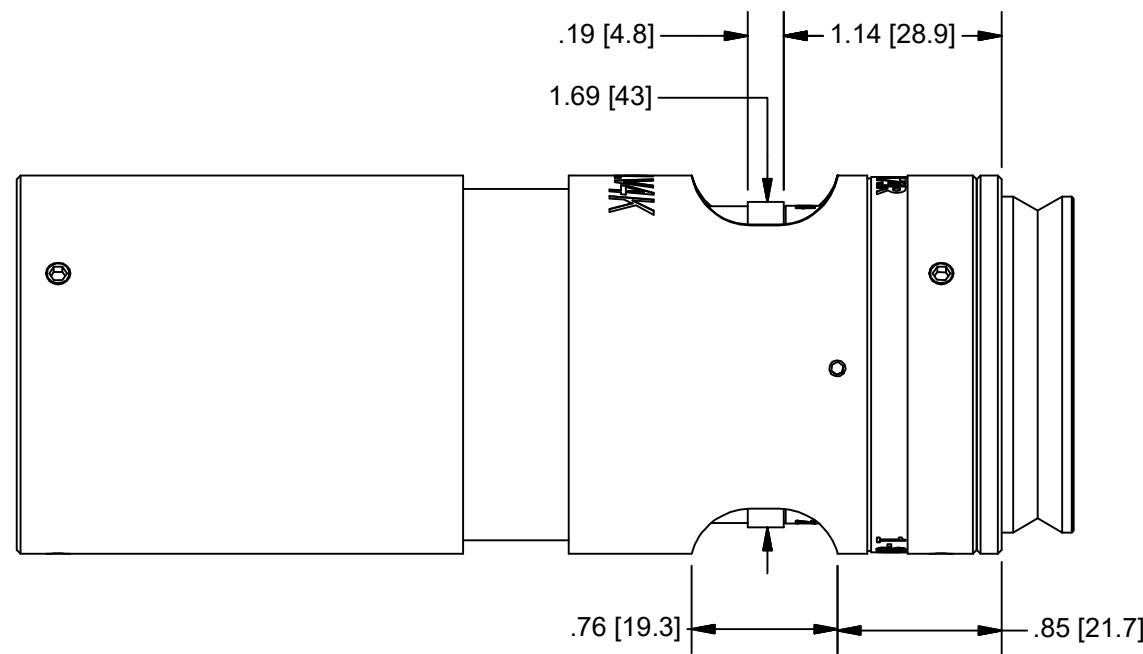
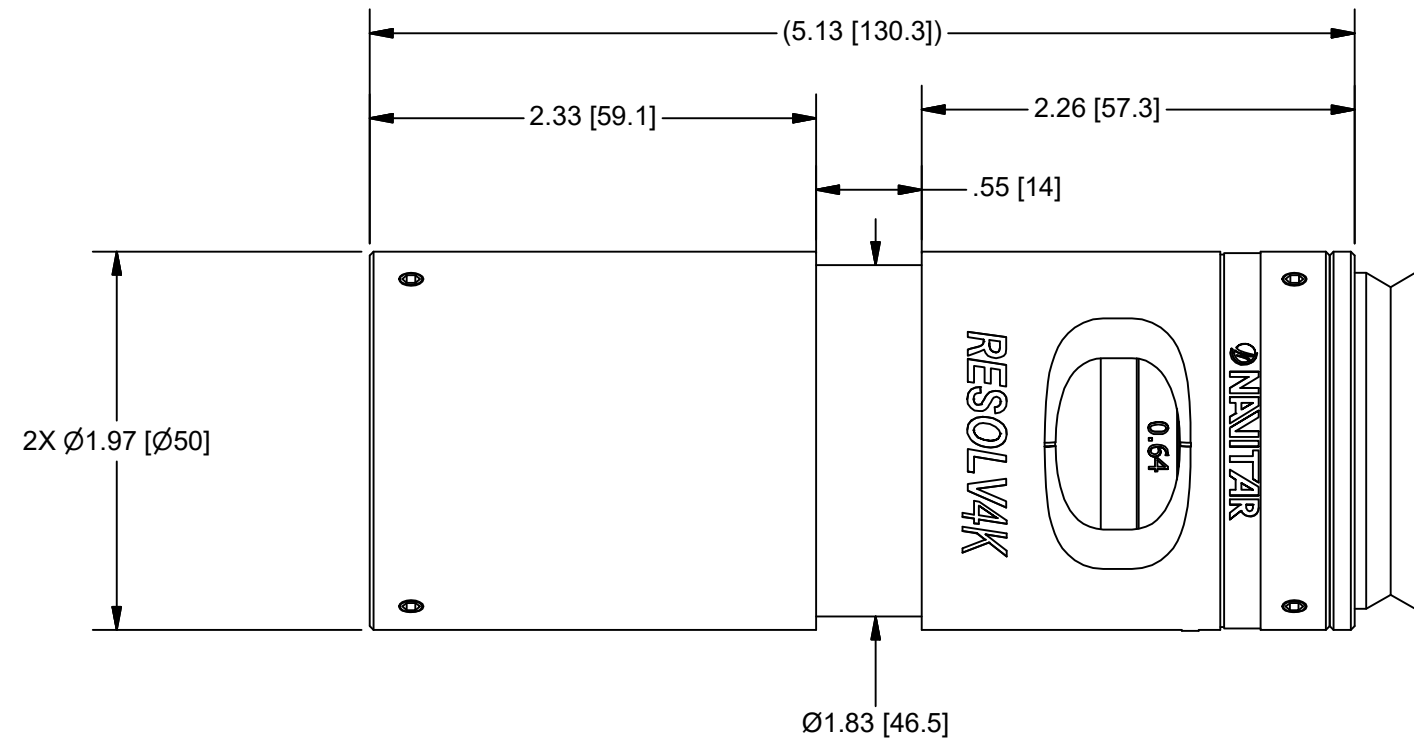


945 East 11<sup>th</sup> Avenue Tampa, FL 33605

Phone: (813) 984-0125

Contact: Sales@ pyramidimaging.com

<https://pyramidimaging.com>



# OUTLINE

|   |  |  |  |
|---|--|--|--|
| UNLESS OTHERWISE SPECIFIED DIMENSIONS ARE IN INCHES AND INCLUDE CHEMICALLY APPLIED OR PLATED FINISHES |  | PROPRIETARY AND CONFIDENTIAL   |  |
| SCALE: 1.5:1  |  | THE INFORMATION CONTAINED IN THIS DRAWING IS THE SOLE PROPERTY OF NAVITAR. ANY REPRODUCTION IN PART OR AS A WHOLE WITHOUT THE WRITTEN PERMISSION OF NAVITAR IS PROHIBITED. |  |
| WEIGHT: 1.77 lbmass   |  |  |  |
| DR BY: Bonafede   |  |  |  |
| CH BY: R. PODLENA   |  | ZOOM, MANUAL, 7X AFOCAL  |  |
| PROJECT #:  |  |  |  |
| DATE DR: 10/19/2016   |  | SIZE   |  |
| DO NOT SCALE DRAWING  |  | PART NUMBER  |  |
| SHEET 2 OF 2  |  | <b>B</b>   |  |
|   |  | 1-80100  |  |
|   |  | REV  |  |
|   |  | <b>A</b>   |  |