

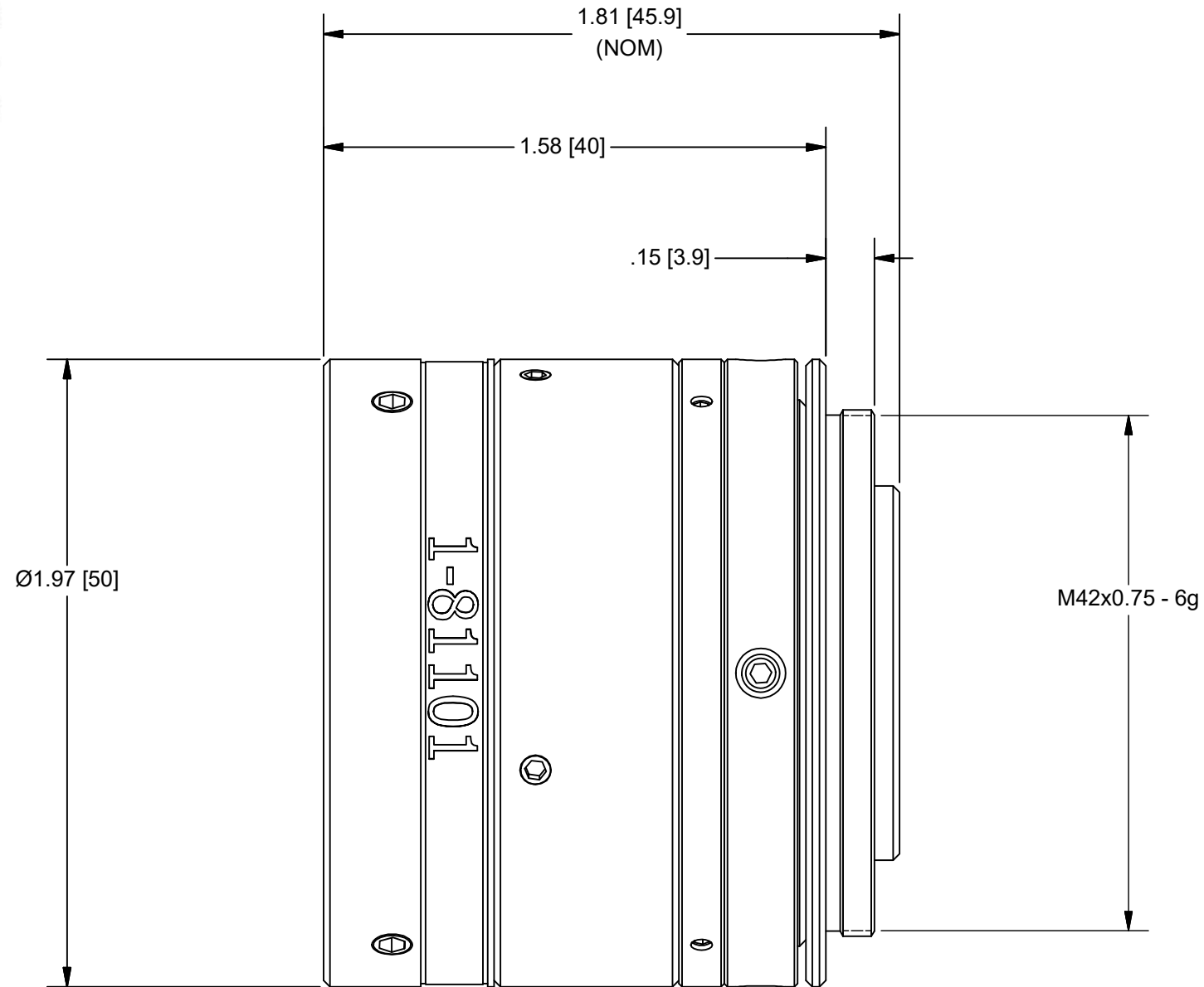


945 East 11th Avenue Tampa, FL 33605

Phone: (813) 984-0125

Contact: Sales@ pyramidimaging.com

<https://pyramidimaging.com>



0.6875X (2/3") REAR ADAPTER FOR RESOLV4K

FOCAL: 110.0mm
 SENSOR COVERAGE: 11mm (2/3" FORMAT)
 DISTORTION: 0.13%
 IMG NA: 0.0748
 WAVELENGTH: 430 - 670nm VIS
 430-1000nm VNIR
 900 - 1700nm SWIR
 TRANSMISSION: 91.7% (445-655nm VIS)
 91.5% (445-950nm VNIR)

OUTLINE

UNLESS OTHERWISE SPECIFIED DIMENSIONS ARE IN INCHES [MM] AND INCLUDE CHEMICALLY APPLIED OR PLATED FINISHES		PROPRIETARY AND CONFIDENTIAL	
SCALE: 2:1		THE INFORMATION CONTAINED IN THIS DRAWING IS THE SOLE PROPERTY OF NAVITAR. ANY REPRODUCTION IN PART OR AS A WHOLE WITHOUT THE WRITTEN PERMISSION OF NAVITAR IS PROHIBITED.	
WEIGHT: 0.40 lbmass			
DR BY: J. WILLIAMSON		0.6875X, (2/3") REAR ADAPTER	
CH BY: PB			
PROJECT #: E3360		DO NOT SCALE DRAWING	
DATE DR: 9/16/2016			
SIZE	PART NUMBER	REV	
B	1-81101	A	

