

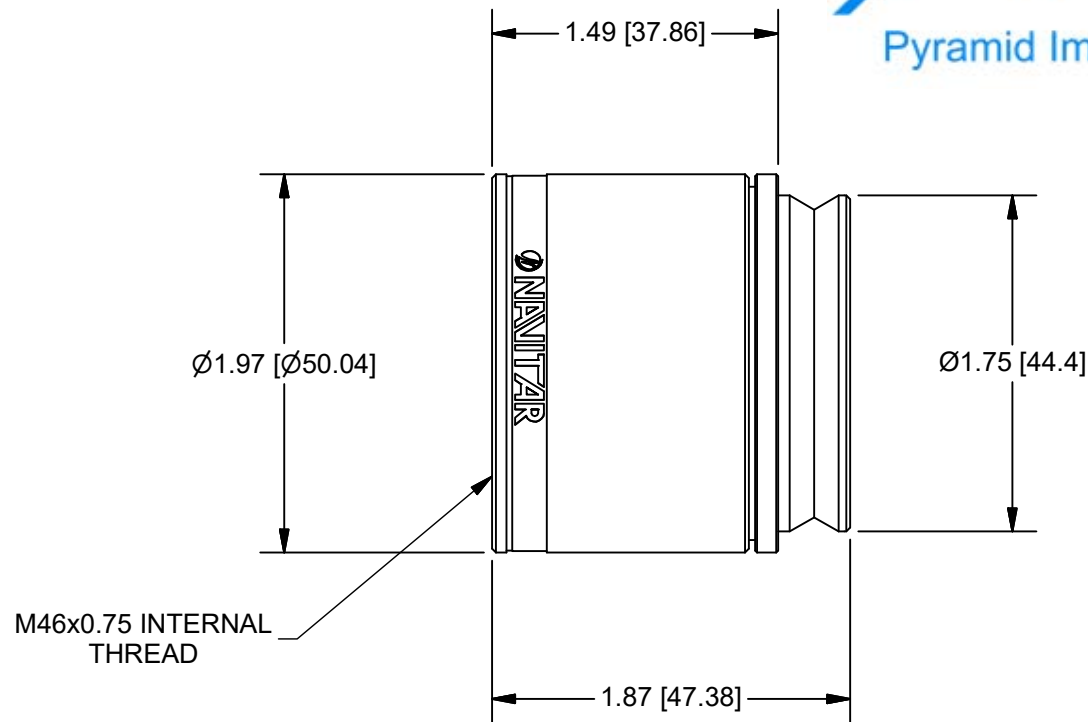


945 East 11th Avenue Tampa, FL 33605

Phone: (813) 984-0125

Contact: Sales@pyramidimaging.com

<https://pyramidimaging.com>



OUTLINE

0.75X LENS ATTACHMENT FOR RESOLV4K

FOCAL: 133.33mm
 WORKING DISTANCE: 110mm
 OBJECT COVERAGE: 33.33mm - 4.74mm (LOW - HIGH MAG)
 DISTORTION: 0.1% - -0.5%
 OBJ NA: 0.025 - .071
 WAVELENGTH: VIS: 430 - 670nm
 VNIR: 430 - 1000nm
 SWIR: 900 - 1700nm
 TRANSMISSION: 94.1% (445-655nm VIS)
 94.2% (445-950nm VNIR)

UNLESS OTHERWISE SPECIFIED
DIMENSIONS ARE IN INCHES
AND INCLUDE CHEMICALLY
APPLIED OR PLATED FINISHES

PROPRIETARY AND CONFIDENTIAL

THE INFORMATION CONTAINED IN THIS DRAWING IS THE SOLE PROPERTY OF NAVITAR. ANY REPRODUCTION IN PART OR AS A WHOLE WITHOUT THE WRITTEN PERMISSION OF NAVITAR IS PROHIBITED.

SCALE:	1:1
WEIGHT:	0.43 lbmass
DR BY:	C. Byler
CH BY:	DEROSA
PROJECT #:	E3528
DATE DR:	7/28/2017
DO NOT SCALE DRAWING	
SHEET 2 OF 2	



LENS, 0.75X LENS ATTACHMENT

SIZE	PART NUMBER	REV
A	1-81203	A