

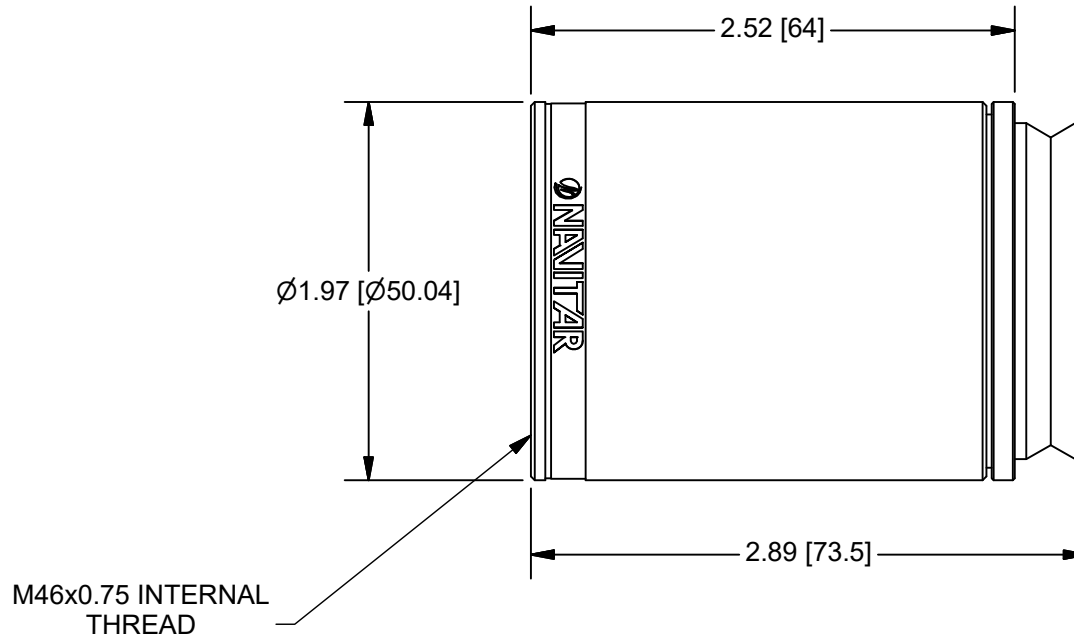


945 East 11th Avenue Tampa, FL 33605

Phone: (813) 984-0125

Contact: Sales@pyramidimaging.com

https://pyramidimaging.com



OUTLINE

FOCAL: 65.0mm
 WORKING DISTANCE: 46.5mm
 OBJECT COVERAGE: 16.67mm - 2.37mm (LOW - HIGH MAG)
 DISTORTION: -0.1% - -0.5%
 OBJ NA: 0.051 - .146
 WAVELENGTH: VIS: 430 - 670nm
 VNIR: 430 - 1000nm
 SWIR: 900 - 1700nm
 TRANSMISSION: 92.5% (445-655nm VIS)
 89.7% (445-950nm VNIR)

UNLESS OTHERWISE SPECIFIED DIMENSIONS ARE IN INCHES AND INCLUDE CHEMICALLY APPLIED OR PLATED FINISHES		PROPRIETARY AND CONFIDENTIAL	
		THE INFORMATION CONTAINED IN THIS DRAWING IS THE SOLE PROPERTY OF NAVITAR. ANY REPRODUCTION IN PART OR AS A WHOLE WITHOUT THE WRITTEN PERMISSION OF NAVITAR IS PROHIBITED.	
SCALE:	1:1		
WEIGHT:	0.67 lbmass		
DR BY:	C. Byler		
CH BY:	DEROSA		
PROJECT #:	E3528		
DATE DR:	8/2/2017		
DO NOT SCALE DRAWING		LENS, 1.5X LENS ATTACHMENT	
		SIZE	PART NUMBER
SHEET 2 OF 2		A	1-81206
			REV
			A