

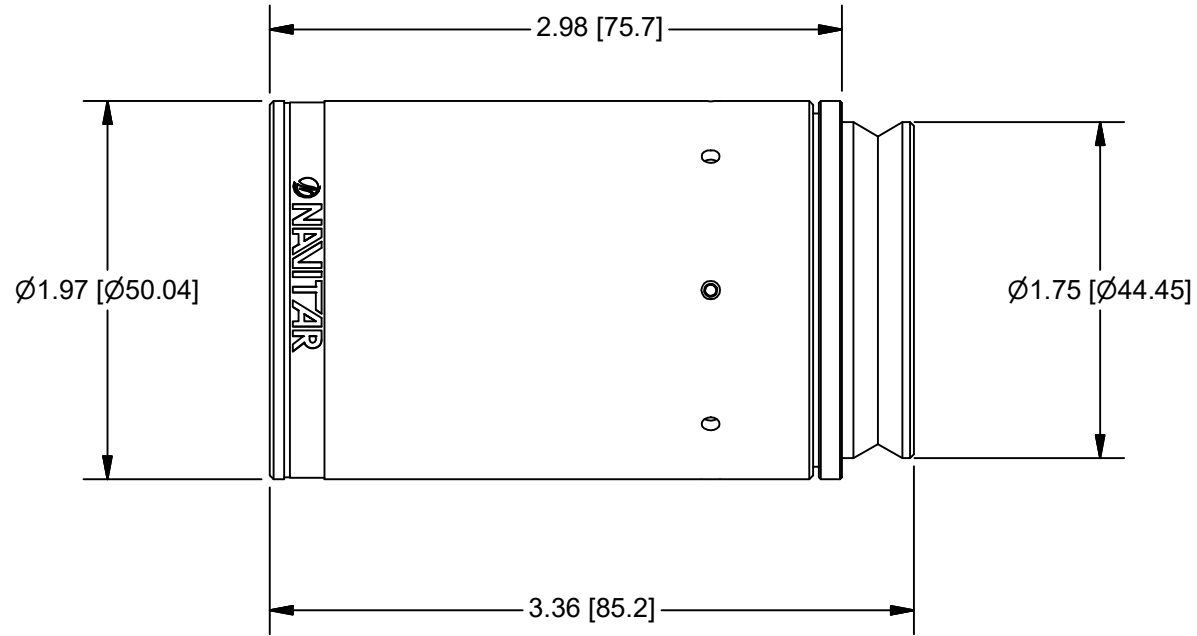


945 East 11th Avenue Tampa, FL 33605

Phone: (813) 984-0125

Contact: Sales@pyramidimaging.com

<https://pyramidimaging.com>



OUTLINE

FOCAL: 50.0mm
 WORKING DISTANCE: 32.3mm
 OBJECT COVERAGE: 12.5mm - 1.78mm (LOW - HIGH MAG)
 DISTORTION: -0.3% - -0.5%
 OBJ NA: .066-.19
 WAVELENGTH: VIS: 430 - 670nm
 VNIR: 430 - 1000nm
 SWIR: 900 - 1700nm
 TRANSMISSION: 89.8% (445-655nm VIS)
 87.1% (445-950nm VNIR)

UNLESS OTHERWISE SPECIFIED DIMENSIONS ARE IN INCHES AND INCLUDE CHEMICALLY APPLIED OR PLATED FINISHES		PROPRIETARY AND CONFIDENTIAL THE INFORMATION CONTAINED IN THIS DRAWING IS THE SOLE PROPERTY OF NAVITAR. ANY REPRODUCTION IN PART OR AS A WHOLE WITHOUT THE WRITTEN PERMISSION OF NAVITAR IS PROHIBITED.		
SCALE:	1:1			
WEIGHT:	0.89 lbmass			
DR BY:	DEROSA			
CH BY:	J. WILLIAMSON			
PROJECT #:	E3515			
DATE DR:	11/8/2017			
DO NOT SCALE DRAWING		LENS, 2.0X LENS ATTACHMENT		
SHEET 2 OF 2		SIZE	PART NUMBER	REV
		A	SK-1-81207	1