

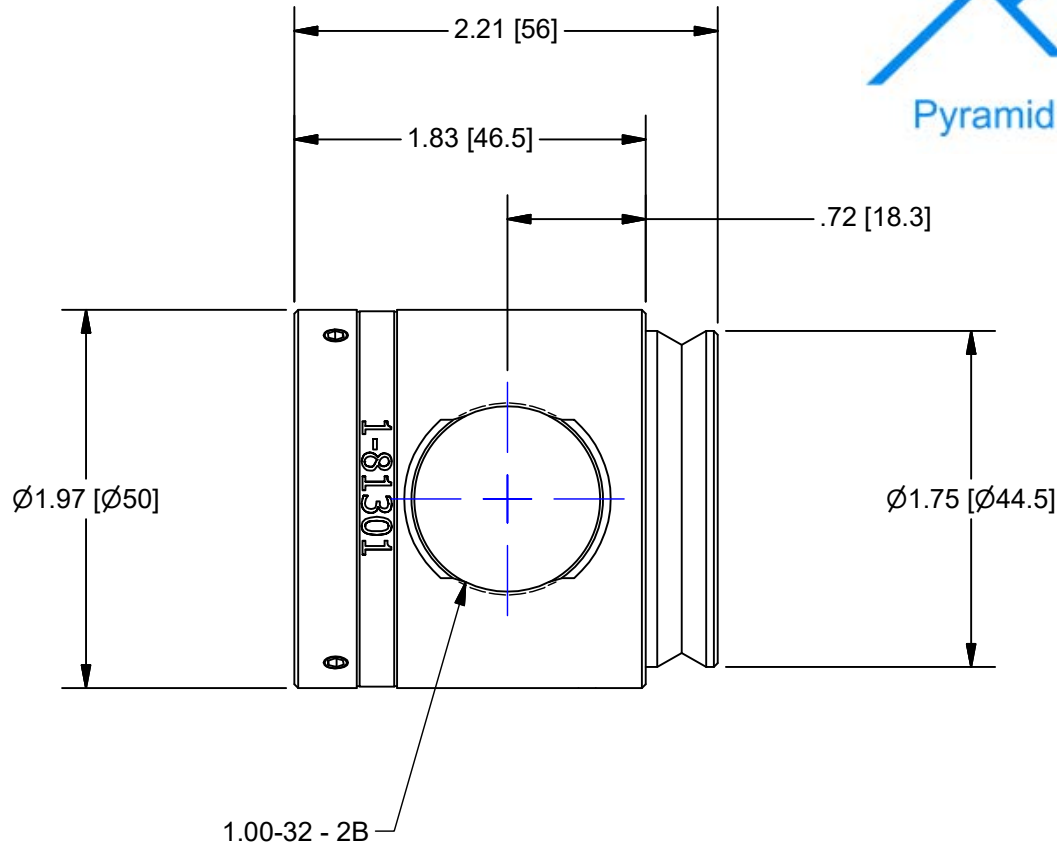


945 East 11th Avenue Tampa, FL 33605

Phone: (813) 984-0125

Contact: Sales@ pyramidimaging.com

<https://pyramidimaging.com>



OUTLINE

UNLESS OTHERWISE SPECIFIED DIMENSIONS ARE IN INCHES [MM] AND INCLUDE CHEMICALLY APPLIED OR PLATED FINISHES		PROPRIETARY AND CONFIDENTIAL			
SCALE: 1.5:1		THE INFORMATION CONTAINED IN THIS DRAWING IS THE SOLE PROPERTY OF NAVITAR. ANY REPRODUCTION IN PART OR AS A WHOLE WITHOUT THE WRITTEN PERMISSION OF NAVITAR IS PROHIBITED.			
WEIGHT: 0.23 lbmass		0.0 inch 1.0 		RESOLV, COAX PORT	
DR BY: J. WILLIAMSON		0.0 mm 25.0			
CH BY: PB		DO NOT SCALE DRAWING		SIZE	PART NUMBER
PROJECT #: E3360				A	1-81301
DATE DR: 9/22/2016					REV