

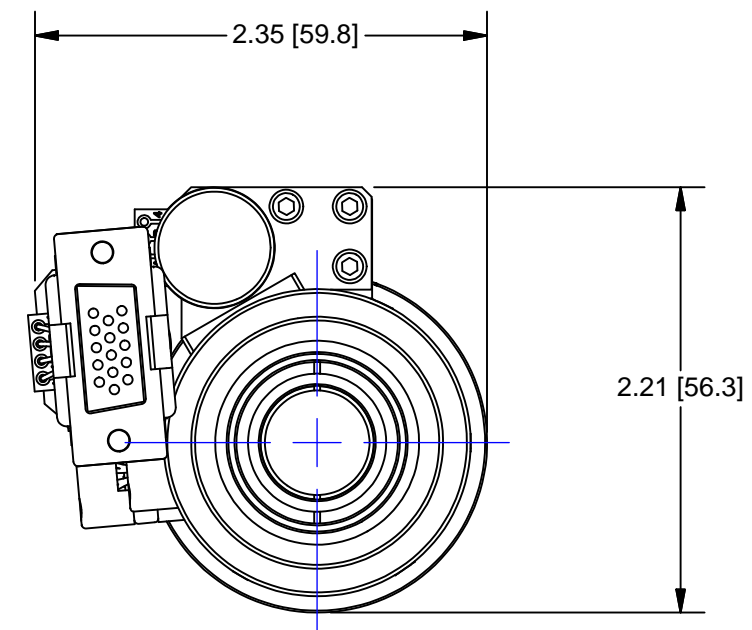
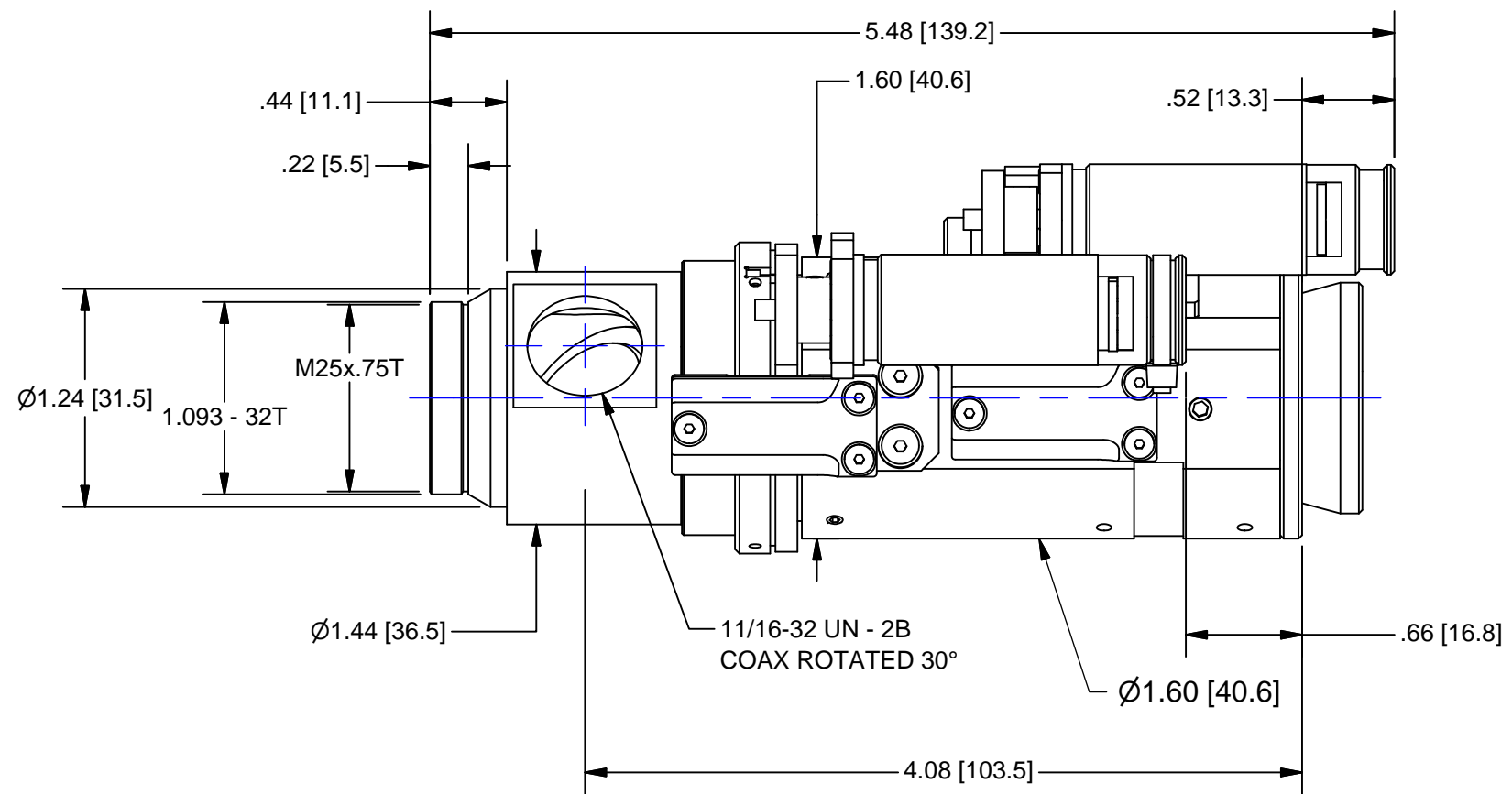
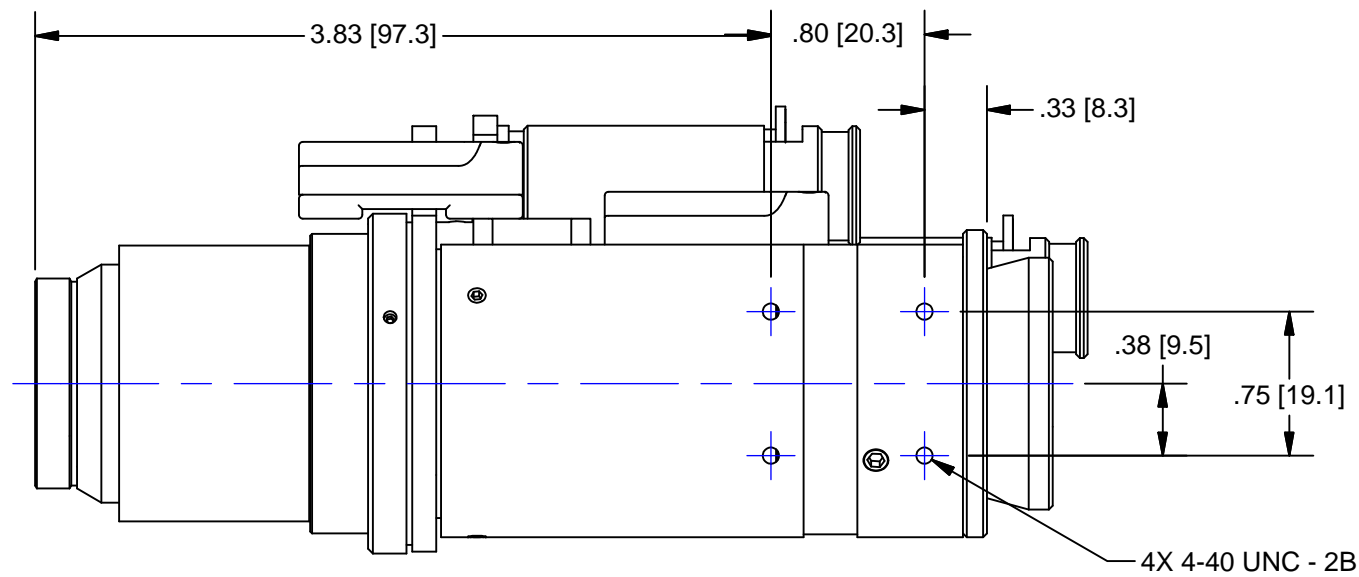


945 East 11<sup>th</sup> Avenue Tampa, FL 33605

Phone: (813) 984-0125

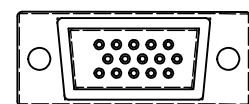
Contact: Sales@pyramidimaging.com

https://pyramidimaging.com



**2-PHASE MOTOR PINOUT**

- PIN 3 = +5Vdc
- PIN13 = COMMON
- PIN 8 = FAR LIMIT
- PIN 12 = NEAR LIMIT
- PIN 1 = MOTOR A+
- PIN 7 = MOTOR A-
- PIN 6 = MOTOR B+
- PIN 11 = MOTOR B-



15 PIN HIGH DENSITY D-SUB

**OUTLINE**

UNLESS OTHERWISE SPECIFIED DIMENSIONS ARE IN INCHES [MM] AND INCLUDE CHEMICALLY APPLIED OR PLATED FINISHES		<b>PROPRIETARY AND CONFIDENTIAL</b>			
SCALE: 1:1		THE INFORMATION CONTAINED IN THIS DRAWING IS THE SOLE PROPERTY OF NAVITAR. ANY REPRODUCTION IN PART OR AS A WHOLE WITHOUT THE WRITTEN PERMISSION OF NAVITAR IS PROHIBITED.			
WEIGHT:	0.93 lbmass	0.0 inch 1.0		MTR (STEP) 6X & 3mm FF w/LS (HE) & CP	
DR BY:	R. PODLENA	0.0 mm 25.0			
CH BY:	P. BONAFEDE	DO NOT SCALE DRAWING			
PROJECT #:		DATE DR: 11/22/2002		SIZE <b>B</b>	1-62319
				SHEET 2 OF 2	
				REV <b>B</b>	