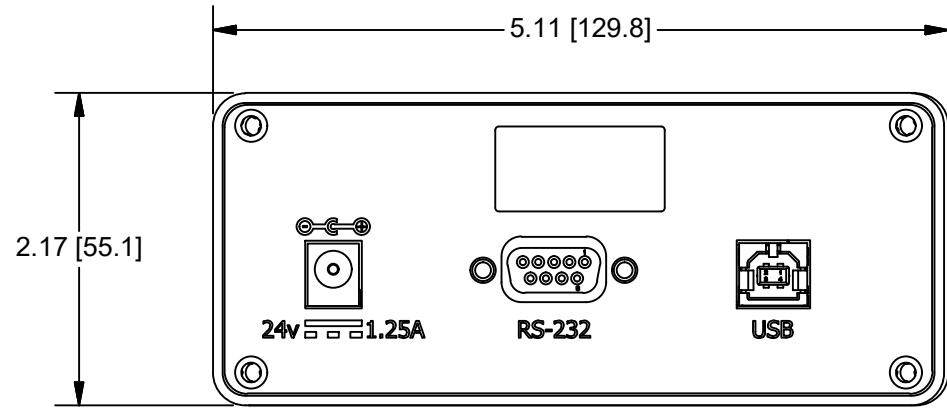
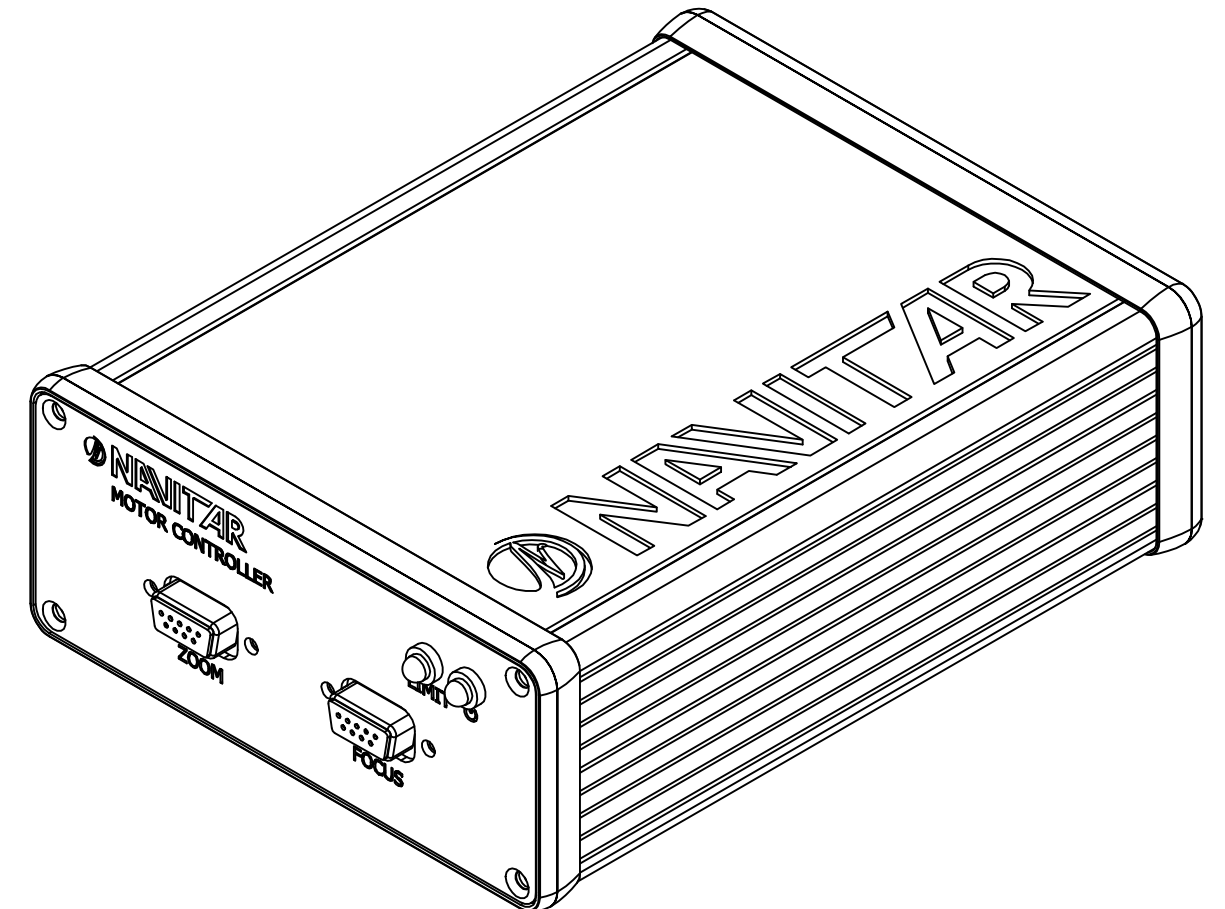
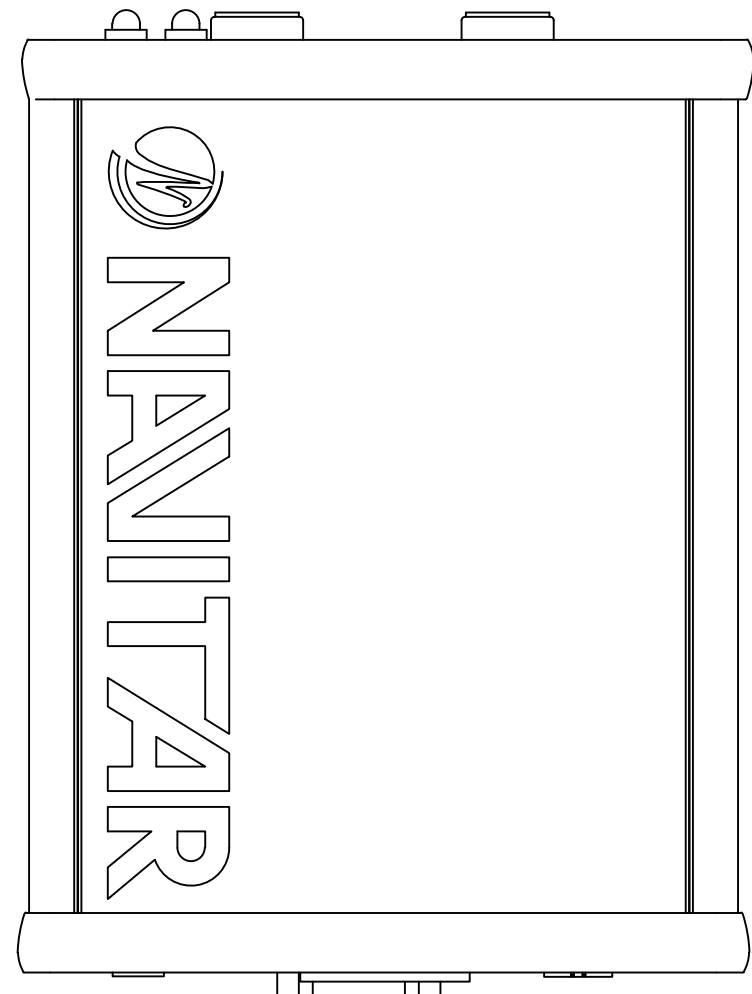
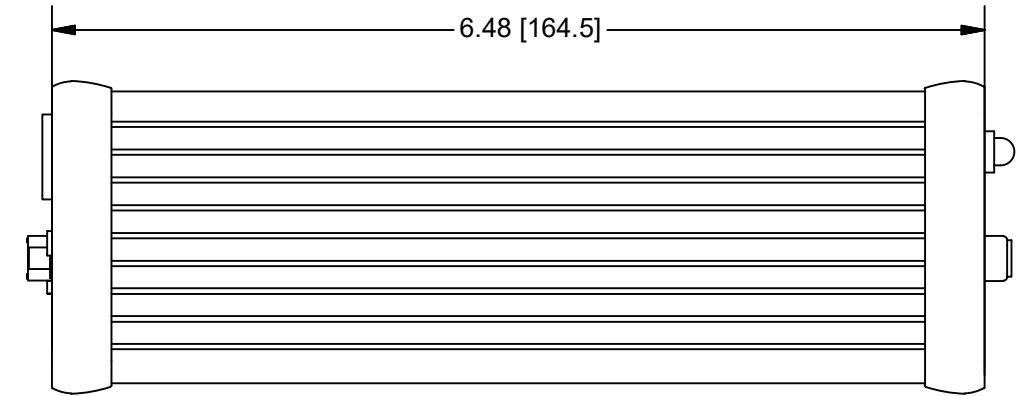


POWER CONNECTION

24VDC @1.25A
2.1mm CENTER POST


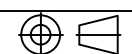


REVISION HISTORY				
REV	DESCRIPTION	DATE	DR BY	CH BY
A	RELEASE	2/1/18	KCA	DEROSA



OUTLINE


Pyramid Imaging
 945 East 11th Avenue Tampa, FL 33605
 sales@pyramidimaging.com
 www.pyramidimaging.com
 813-786-3785

UNLESS OTHERWISE SPECIFIED DIMENSIONS ARE IN INCHES [MM] AND INCLUDE CHEMICALLY APPLIED OR PLATED FINISHES		PROPRIETARY AND CONFIDENTIAL THE INFORMATION CONTAINED IN THIS DRAWING IS THE SOLE PROPERTY OF NAVITAR. ANY REPRODUCTION IN PART OR AS A WHOLE WITHOUT THE WRITTEN PERMISSION OF NAVITAR IS PROHIBITED.		 NAVITAR ROCHESTER, NEW YORK	
SCALE:	1:1	0.0 inch 1.0 0.0 mm 25.0			
WEIGHT:	2.18 lbmass	DO NOT SCALE DRAWING		SIZE	PART NUMBER
DR BY:	K. Arnold			B	1-40238
CH BY:	DEROSA				
PROJECT #:	C3515				
DATE DR:	2/1/2018				

CONTROLLER, DESKTOP, ENCODED MTR