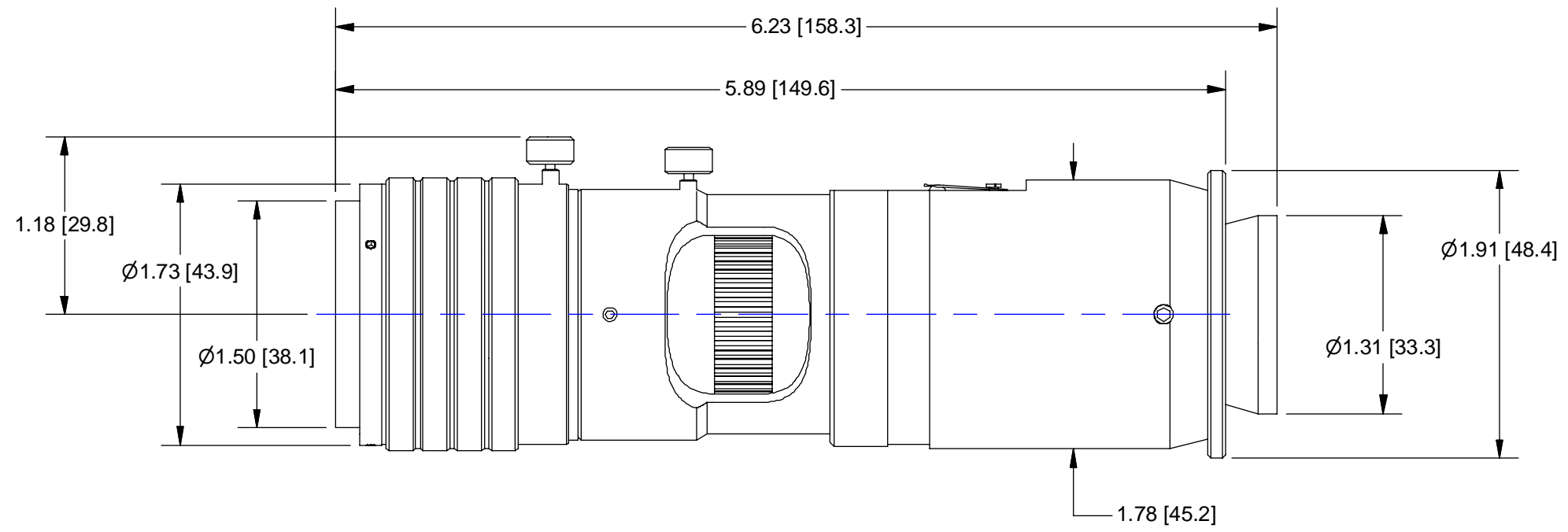


REVISION HISTORY				
REV	DESCRIPTION	DATE	DR BY	CH BY
A	RELEASE	03/30/06	REP	--



OUTLINE

SCALE:	1:1
WEIGHT:	1.0lbm
DR:	R. PODLENA
CH:	
PROJECT #:	
DATE DR:	3/29/2006
DO NOT SCALE DRAWING	



12X ZOOM w/12mm FF & DETENT

SIZE	1-50486D	REV
B	SHEET 1 OF 1	A



945 East 11th Avenue Tampa, FL 33605
 Phone: (813) 984-0125
 Contact: Sales@pyramidimaging.com
<https://pyramidimaging.com>