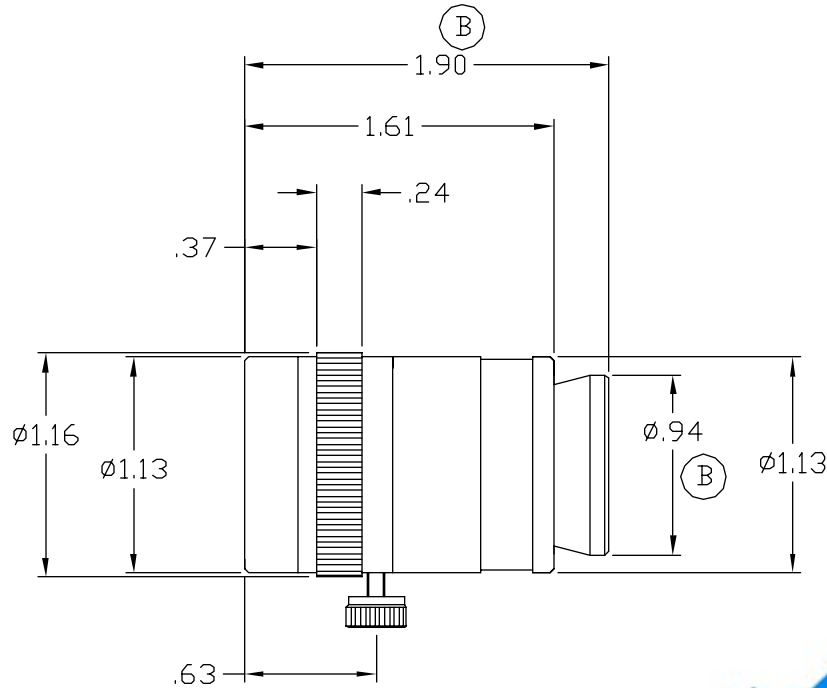


REV	CHANGE RECORD AND DATE		CH
A	RELEASE	6/18/99	
B	ECO #990957	12/4/99	JK



945 East 11th Avenue Tampa, FL 33605

Phone: (813) 984-0125

Contact: Sales@pyramidimaging.com

<https://pyramidimaging.com>

NEXT ASSY.

USED ON

MATERIAL	UNLESS OTHERWISE SPECIFIED DIMENSIONS ARE IN INCHES AND INCLUDE CHEMICALLY APPLIED OR PLATED FINISHES		P/N Suffix Definition -1 Conversion Coating -2 Painting -3 Marking -R Rework	 ROCHESTER, NEW YORK	
	TOLERANCES AS FOLLOWS	SCALE 1:1			
FINISH	DEC. .XXX ±.005	DR. JK		PRECISE EYE ASS'Y w/3mm F.F.	
	DEC. .XX ±.010	CH.			
CHAMFER ALL THREADS 30° TO ROOT DIAM.	FRACT. ±1/64	APP. PR		SIZE	1-61449 OL
	ANGLES ±30'	DATE DR. 6/16/99		A	
	CONCENTRICITY .003 TIR	DO NOT SCALE DRAWING		SHT. 1 OF 1	REV B
	BREAK ALL SHARP EDGES .005 MIN. .010 MAX.				
	MAX. SURF. ROUGHNESS 32				