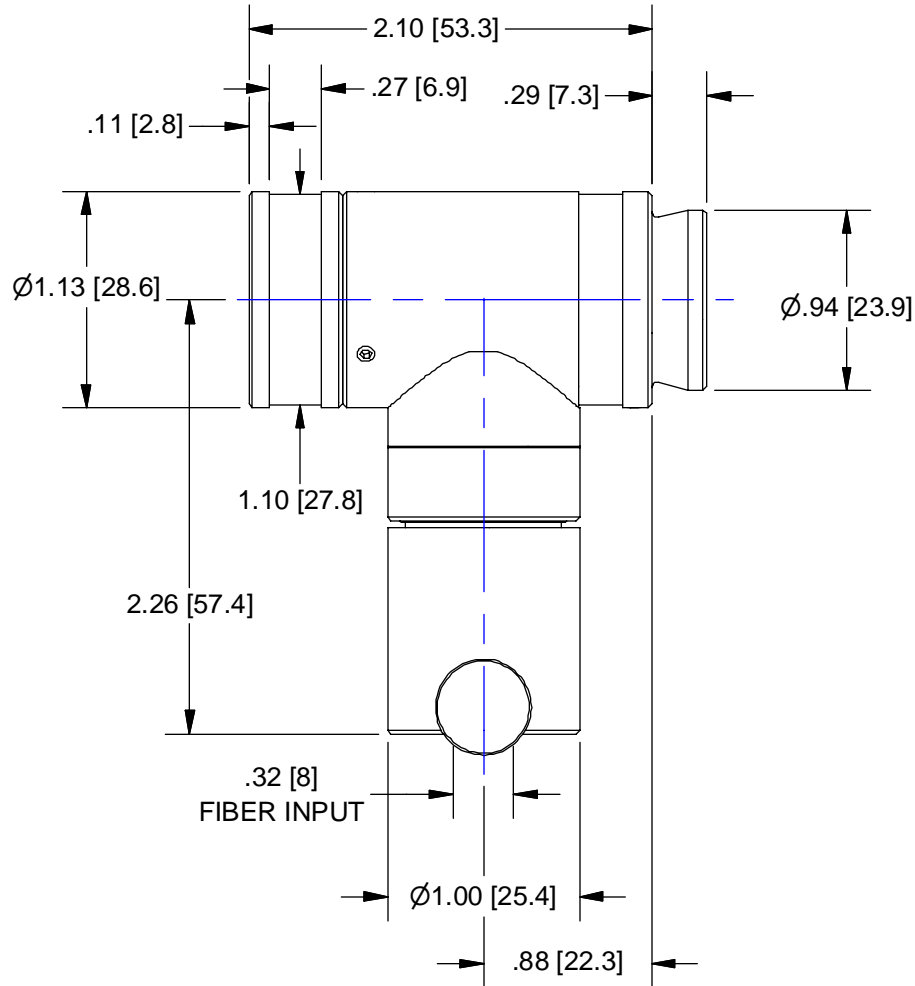




Pyramid Imaging

945 East 11th Avenue Tampa, FL 33605
 sales@pyramidimaging.com
 www.pyramidimaging.com
 813-786-3785



OUTLINE

UNLESS OTHERWISE SPECIFIED DIMENSIONS ARE IN INCHES [MM] AND INCLUDE CHEMICALLY APPLIED OR PLATED FINISHES	PROPRIETARY AND CONFIDENTIAL			
SCALE: 1:1	THE INFORMATION CONTAINED IN THIS DRAWING IS THE SOLE PROPERTY OF NAVITAR. ANY REPRODUCTION IN PART OR AS A WHOLE WITHOUT THE WRITTEN PERMISSION OF NAVITAR IS PROHIBITED.			
WEIGHT: .23LBM	0.0 inch 1.0 	PRECISE EYE, FIXED MOUNT w/COAX		
DR BY: JK				
CH BY: PB				
PROJECT #:	DO NOT SCALE DRAWING	SIZE	1-62707	REV
DATE DR: 11/3/2003		A	SHEET 2 OF 2	A