

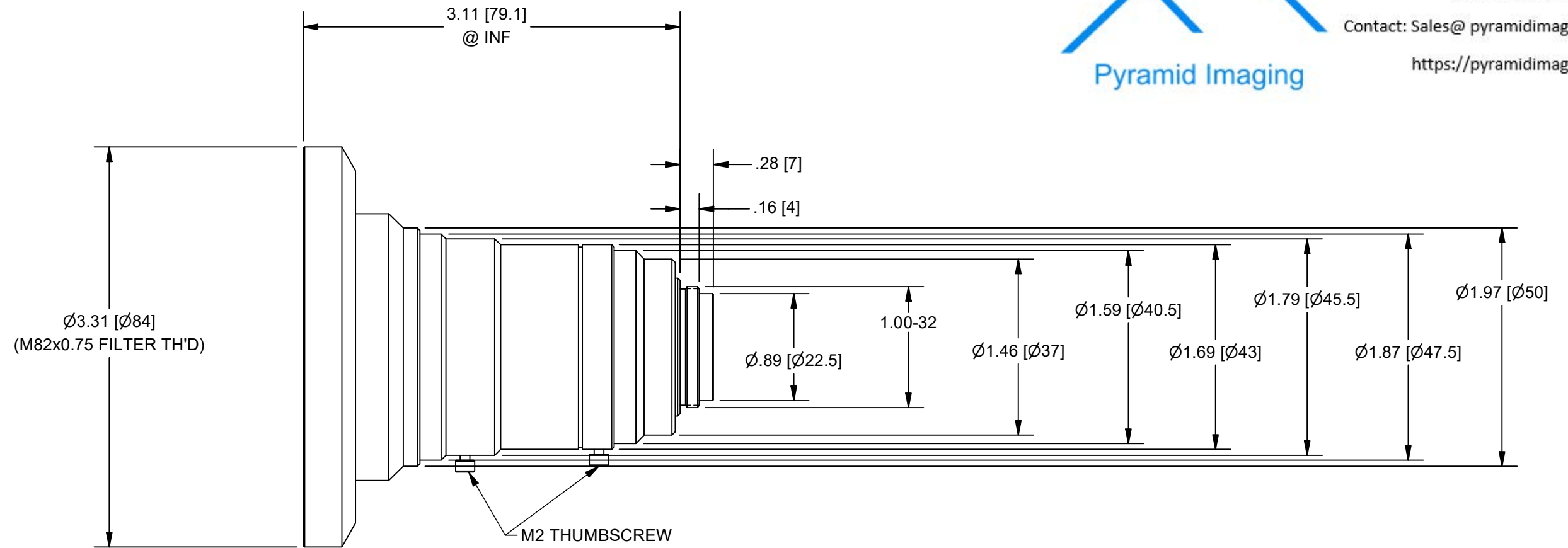


945 East 11th Avenue Tampa, FL 33605

Phone: (813) 984-0125

Contact: Sales@ pyramidimaging.com

https://pyramidimaging.com



Lens Specifications - 1.1" 6.5mm F/2.5, 24MP

Specifications	1.1"	1"	2/3"
Focal Length	f = 6.5mm		
Maximum diameter (Ratio)	F = 2.5 - 16		
Picture Size	10.6 x 14.1 mm	9.6 x 12.8 mm	6.6 x 8.8 mm
Angle			
- Vertical	78.7 deg	73.0 deg	53.5 deg
- Horizontal	95.7 deg	89.9 deg	68.1 deg
- Diagonal	109.1 deg	103.4 deg	80.8 deg
Distortion	-1.51%	-1.27%	-0.68%
FOV (@MOD)			
- Vertical	190mm	172mm	117mm
- Horizontal	256mm	231mm	157mm
- Diagonal	323mm	292mm	197mm
Minimum Focus Distance	0.1m		
Flange Focus	17.526mm in air		
Back Focus	10.9mm in air		
Filter Screw Size	M82x0.75		
Clear Aperture Front / Rear	Ø46mm / Ø18.5mm		
Mount	C-Mount		
Exit Pupil	-61.7mm		
Temperature Range	- 10 ~ + 50 deg. C		
Storage Temperature Range	- 20 ~ + 60 deg. C		
Resolution Center / Corner	200 lp/mm / 100 lp/mm		

OUTLINE



UNLESS OTHERWISE SPECIFIED DIMENSIONS ARE IN INCHES [MM] AND INCLUDE CHEMICALLY APPLIED OR PLATED FINISHES

PROPRIETARY AND CONFIDENTIAL

THE INFORMATION CONTAINED IN THIS DRAWING IS THE SOLE PROPERTY OF NAVITAR. ANY REPRODUCTION IN PART OR AS A WHOLE WITHOUT THE WRITTEN PERMISSION OF NAVITAR IS PROHIBITED.

SCALE: 1:1

WEIGHT: SEE TABLE

DR BY: PB

CH BY: J. WILLIAMSON

PROJECT #:

DATE DR: 11/9/2018

0.0 inch 1.0

0.0 mm 25.0

DO NOT SCALE DRAWING



LENS, 6.5mm, F/2.5, 1.1", 24MP C-MNT

SIZE	PART NUMBER	REV
B	NMV-6M1.1	C