

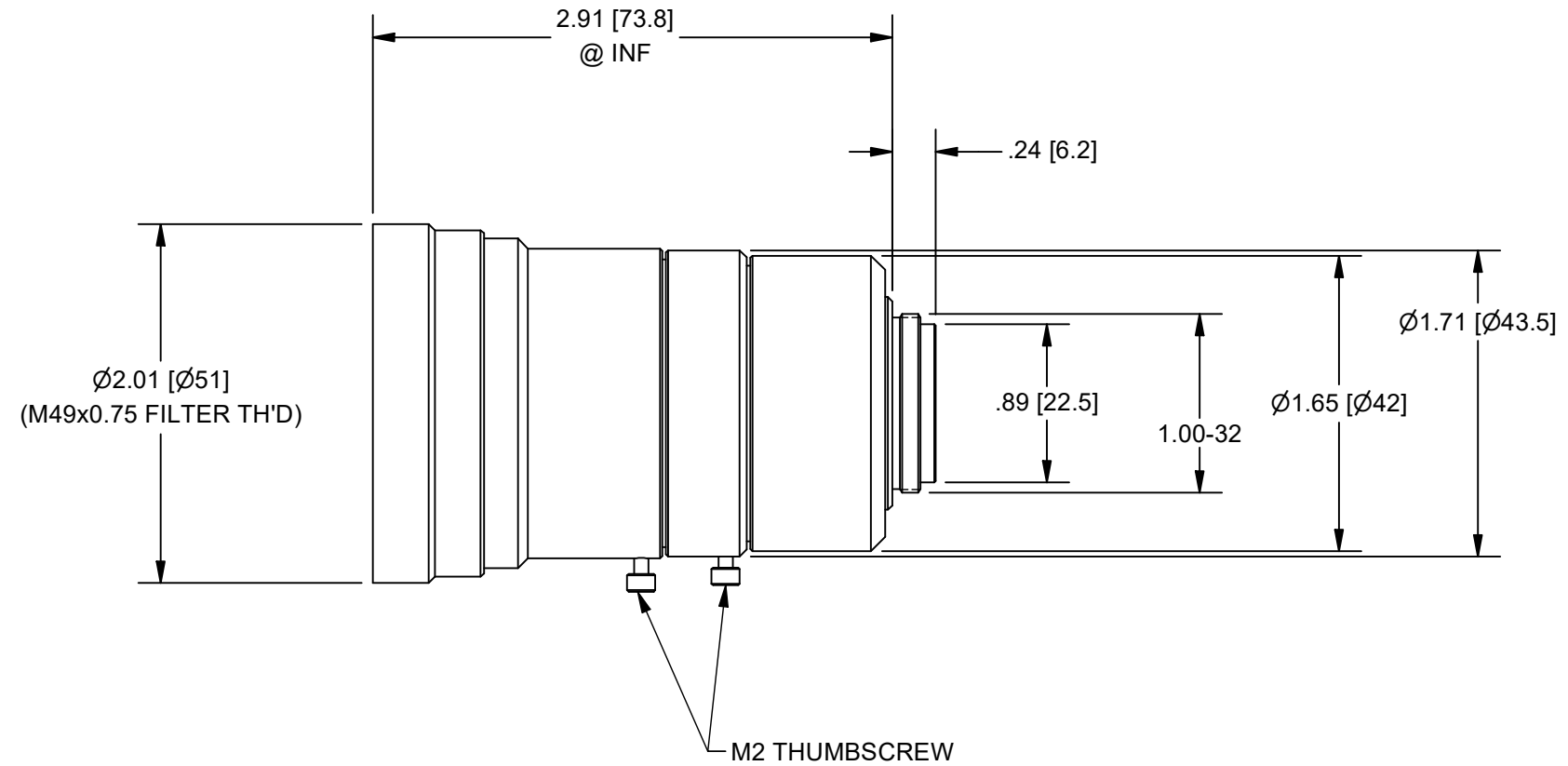


945 East 11<sup>th</sup> Avenue Tampa, FL 33605

Phone: (813) 984-0125

Contact: Sales@pyramidimaging.com

https://pyramidimaging.com



Lens Specifications - 1.1" 12mm F/1.8, 24MP

Specifications	1.1"	1"	2/3"
Focal Length	f = 12mm		
Maximum diameter (Ratio)	F = 1.8 - 16		
Picture Size	10.6 x 14.1mm	9.6 x 12.8 mm	6.6 x 8.8 mm
Angle			
- Vertical	46.9 deg	42.9 deg	30.1 deg
- Horizontal	60.0 deg	55.3 deg	39.6 deg
- Diagonal	71.0 deg	66.2 deg	48.5 deg
Distortion	0.26%	0.03%	-0.22%
FOV			
- Vertical	101mm	92mm	63mm
(@MOD) - Horizontal	135mm	123mm	84mm
- Diagonal	168mm	153mm	105mm
Minimum Focus Distance	0.1m		
Flange Focus	17.526mm in air		
Back Focus	14.5mm in air		
Filter Screw Size	M49x0.75		
Clear Aperture Front / Rear	Ø36.8mm / Ø17.0mm		
Mount	C-Mount		
Exit Pupil	-118.2mm		
Temperature Range	- 10 ~ + 50 deg. C		
Storage Temperature Range	- 20 ~ + 60 deg. C		
Resolution Center / Corner	200lp/mm / 100lp/mm		
Weight	260g		

# OUTLINE



UNLESS OTHERWISE SPECIFIED DIMENSIONS ARE IN INCHES [MM] AND INCLUDE CHEMICALLY APPLIED OR PLATED FINISHES	<b>PROPRIETARY AND CONFIDENTIAL</b> THE INFORMATION CONTAINED IN THIS DRAWING IS THE SOLE PROPERTY OF NAVITAR. ANY REPRODUCTION IN PART OR AS A WHOLE WITHOUT THE WRITTEN PERMISSION OF NAVITAR IS PROHIBITED.		
SCALE: 1:1		LENS, 12mm, F/1.8, 1.1", 24MP C-MNT	
WEIGHT: SEE TABLE		SIZE	PART NUMBER
DR BY: PB		<b>B</b>	<b>NMV-12M1.1</b>
CH BY: J. WILLIAMSON	PROJECT #:	DO NOT SCALE DRAWING	REV
DATE DR: 11/13/2018			<b>C</b>