

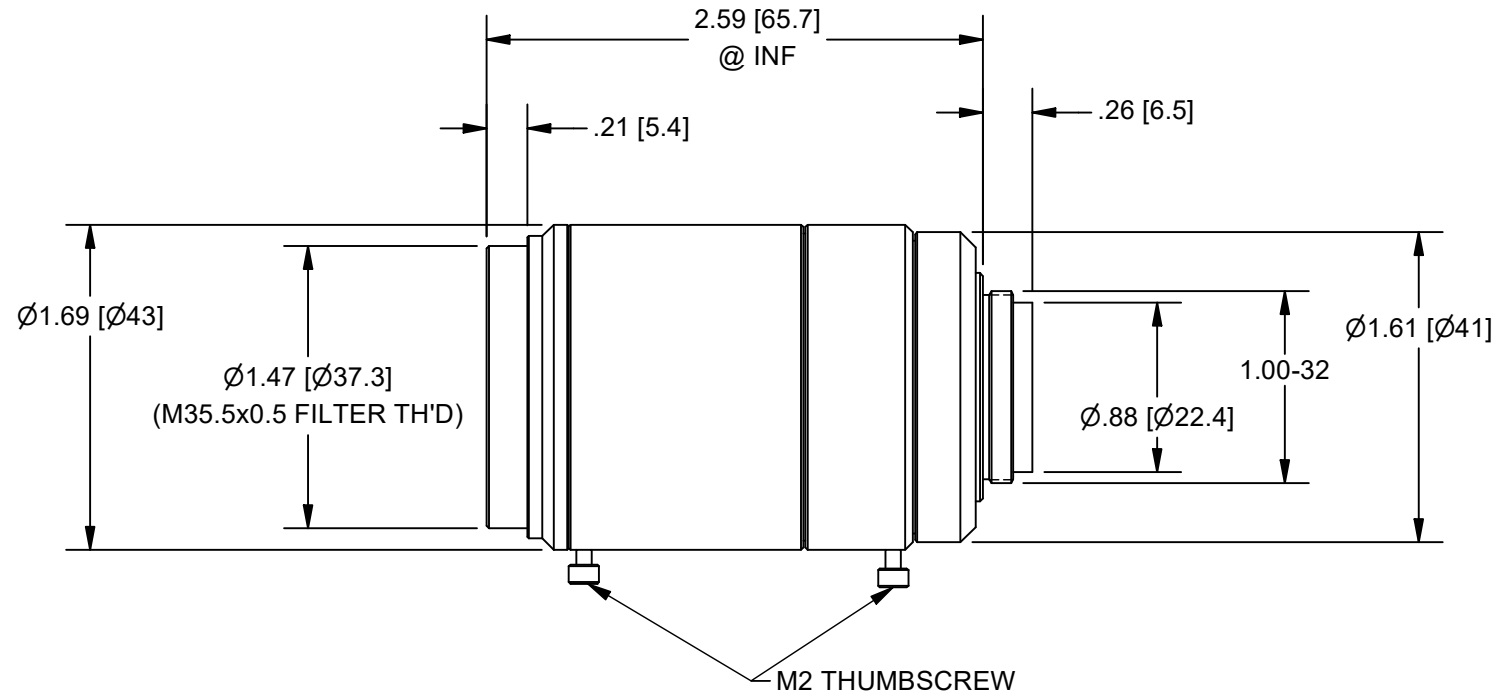


945 East 11th Avenue Tampa, FL 33605

Phone: (813) 984-0125

Contact: Sales@pyramidimaging.com

https://pyramidimaging.com



Lens Specifications - 1.1" 16mm F/1.8, 24MP

Specifications	1.1"	1"	2/3"
Focal Length	f = 16mm		
Maximum diameter (Ratio)	F = 1.8 - 16		
Picture Size	10.6 x 14.1 mm	9.6 x 12.8 mm	6.6 x 8.8 mm
Angle			
- Vertical	36.7 deg	33.4 deg	23.3 deg
- Horizontal	48.0 deg	43.6 deg	30.8 deg
- Diagonal	58.3 deg	53.1 deg	37.9 deg
Distortion	-0.4%	-0.4%	-0.3%
FOV			
- Vertical	77mm	70mm	48mm
(@MOD) - Horizontal	102mm	93mm	64mm
- Diagonal	127mm	116mm	80mm
Minimum Focus Distance	0.1m		
Flange Focus	17.526mm in air		
Back Focus	11.9mm in air		
Filter Screw Size	M35.5x0.5		
Clear Aperture Front / Rear	Ø26.5mm / Ø17.0mm		
Mount	C-Mount		
Exit Pupil	-58.9mm		
Temperature Range	- 10 ~ + 50 deg. C		
Storage Temperature Range	- 20 ~ + 60 deg. C		
Resolution Center / Corner	200lp/mm / 100lp/mm		
Weight	200g		

OUTLINE



UNLESS OTHERWISE SPECIFIED DIMENSIONS ARE IN INCHES [MM] AND INCLUDE CHEMICALLY APPLIED OR PLATED FINISHES		PROPRIETARY AND CONFIDENTIAL THE INFORMATION CONTAINED IN THIS DRAWING IS THE SOLE PROPERTY OF NAVITAR. ANY REPRODUCTION IN PART OR AS A WHOLE WITHOUT THE WRITTEN PERMISSION OF NAVITAR IS PROHIBITED.	
SCALE:	1:1		
WEIGHT:	SEE TABLE		
DR BY:	PB		
CH BY:	J. WILLIAMSON	LENS, 16mm, F/1.8, 1.1", 24MP C-MNT	
PROJECT #:	DO NOT SCALE DRAWING	SIZE	PART NUMBER
DATE DR:	11/12/2018	B	NMV-16M1.1
		REV	C